



Assembly instruction
Water Pump Kit



TABLE OF CONTENTS

1. Tools and Special Tools

Tools	3
-------------	---

2. Install Water pump Kit

Install the Water Pump	4
Removing the Front Cover.....	4
Removing the Side Covers.....	5
Removing the Battery	5
Install the Wiring Harness.....	6




3. Switch on the Water Pump on the HMI Display

Setting Menu	9
--------------------	---

4. Electrical Drawings

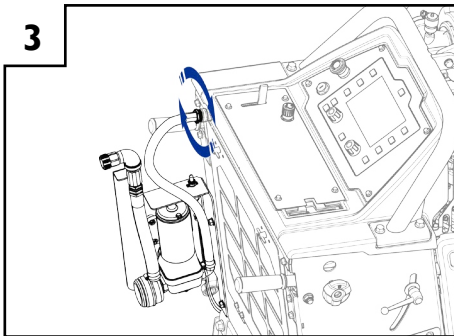
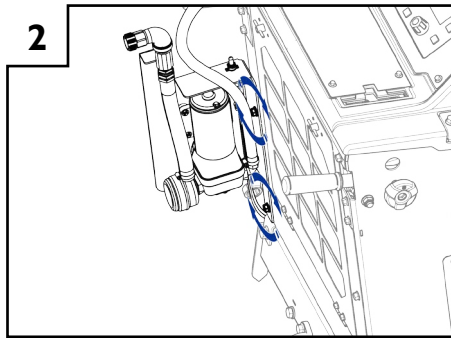
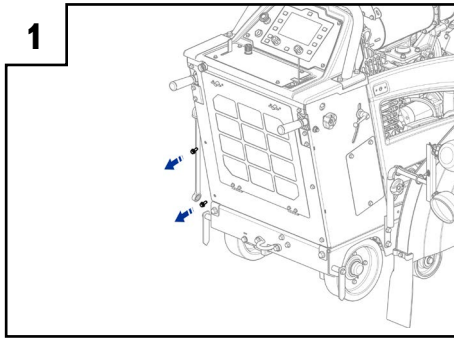
Water Pump Kit Components.....	10
Fuses and Relays	10

1. TOOLS AND SPECIAL TOOLS**Tools**

Tool	Tool no.	Description
		Wrench
		Screwdriver
		Diagonal Pliers

1 INSTALL WATER PUMP KIT

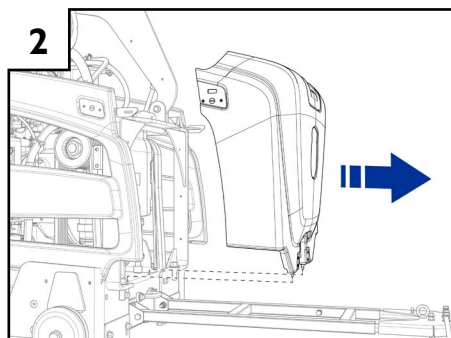
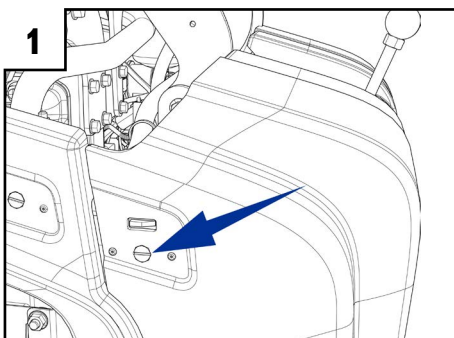
2. INSTALL WATER PUMP KIT



Install the Water Pump



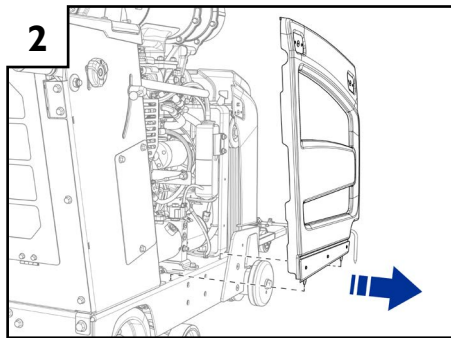
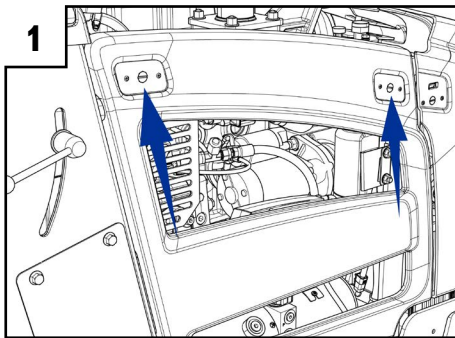
1. Unscrew the 2 bolts on the rear cover.
2. Install the Water Pump kit to the saw by the 2 bolts.
3. Fit the water pump hose to the water inlet connection.



Removing the Front Cover



1. Open the front cover on each side by rotating the turn slot.
2. Lift the cover up and outwards.

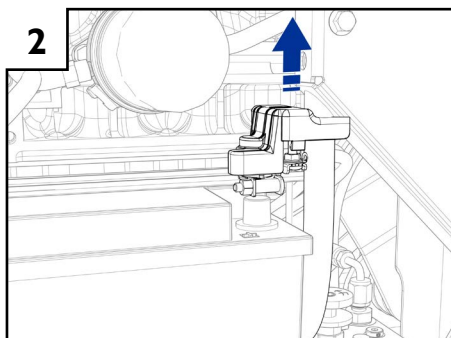
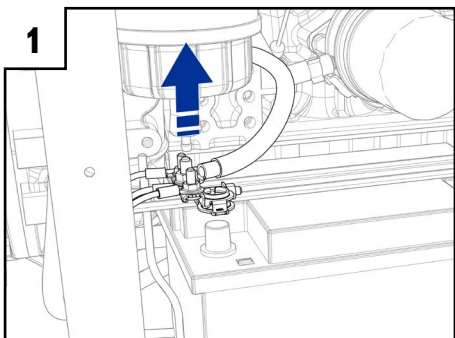


Removing the Side Covers

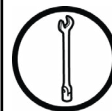


First see: [Removing the Front Cover \(p. 4\)](#).

1. Open the side covers on each side by rotating the two turn slots.
2. Lift the covers up and outwards.

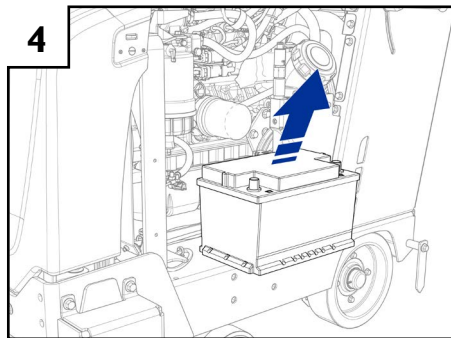
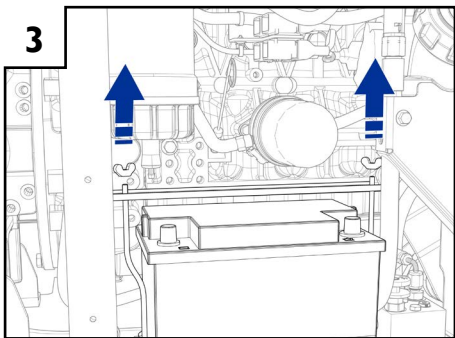


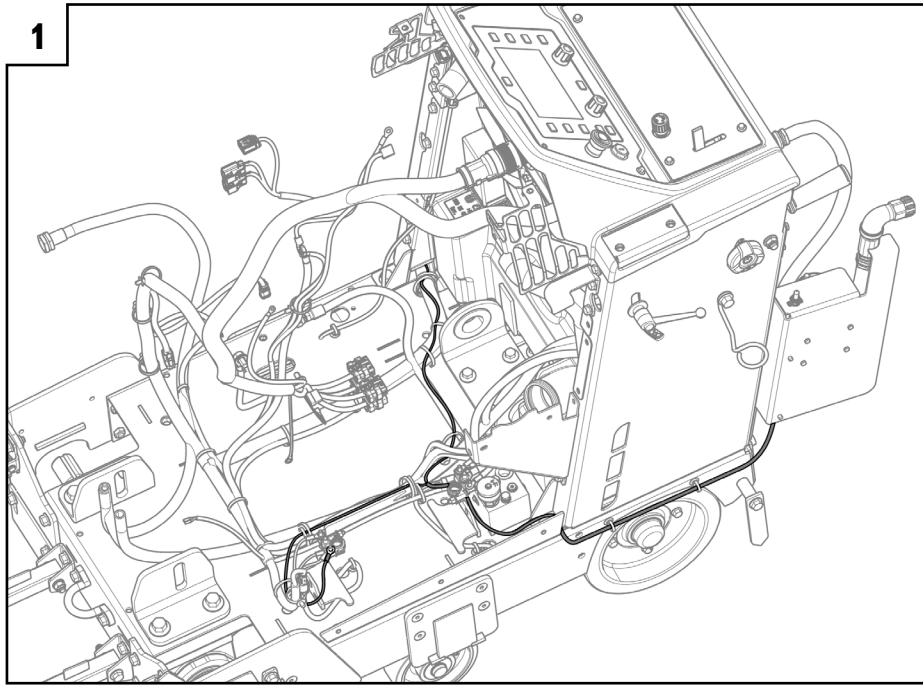
Removing the Battery



First see: [Removing the Side Covers \(p. 5\)](#).

1. Loosen bolt at the minus terminal. Use a safety key.
2. Loosen bolt at the plus terminal.
3. Unscrew the two nuts and remove the battery holder.
4. Lift the battery out without tilting it.



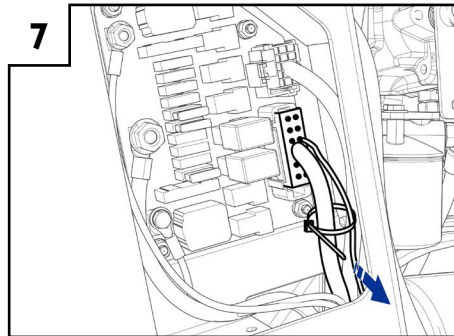
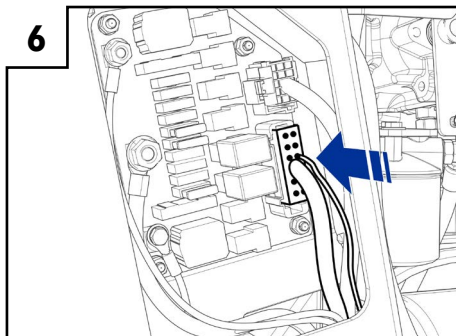
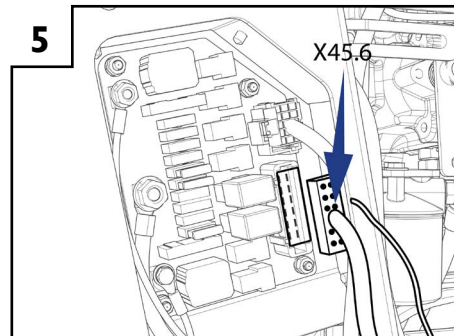
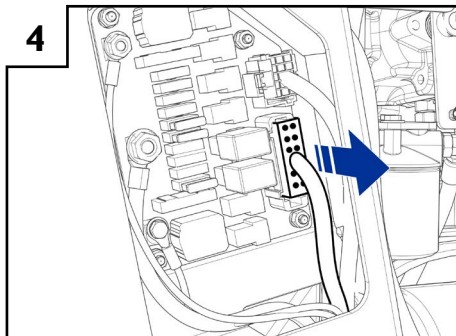
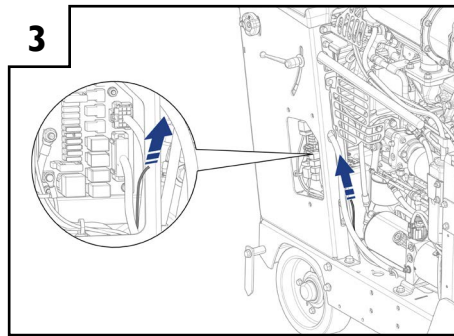
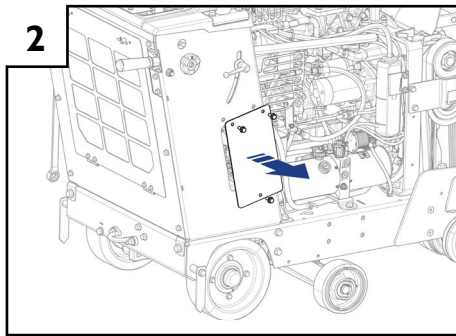


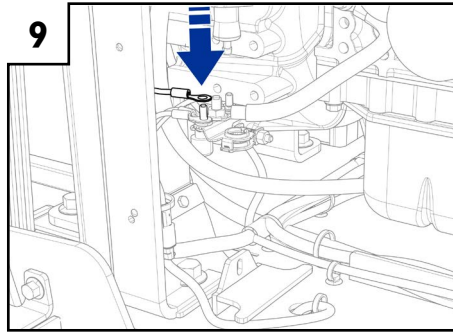
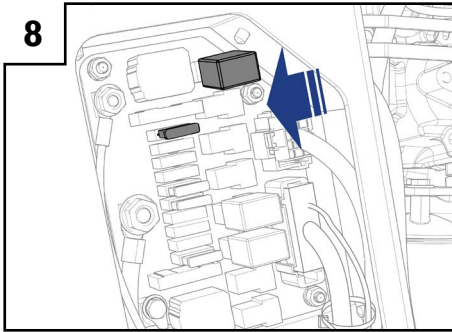
Install the Wiring Harness



First see: [Removing the Battery \(p. 5\)](#)

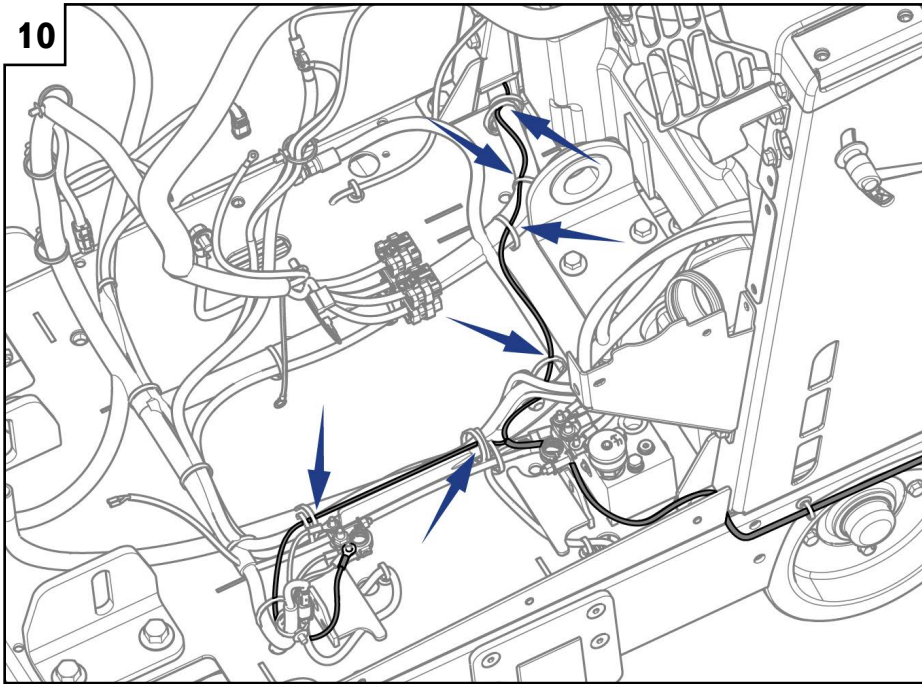
1. Routing the wiring harness on the right hand side of the machine. Routing the conductor with ring terminal behind the battery compartment to the battery negative terminal. Routing the other wire under the engine to the rear corner of the engine compartment.
2. Open the relay box hatch.
3. Routing the wire of the harness with the PWR connector to the relay box by follow the main wire.
4. Disconnect the X45 connector.
5. Insert the PWR connector to the X45 connector marked with X45.6 (see picture).
6. Mount the X45 connector to the HMI board.
7. Tie strap the wire to the main wiring harness.





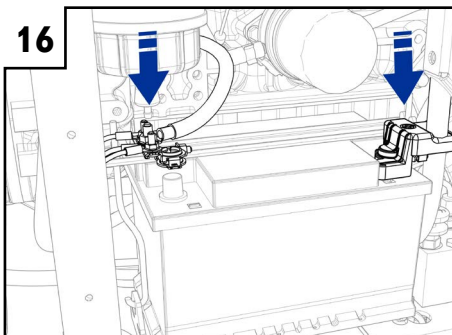
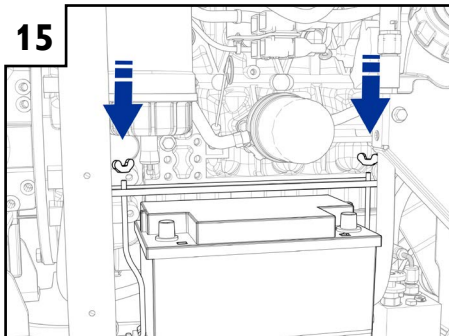
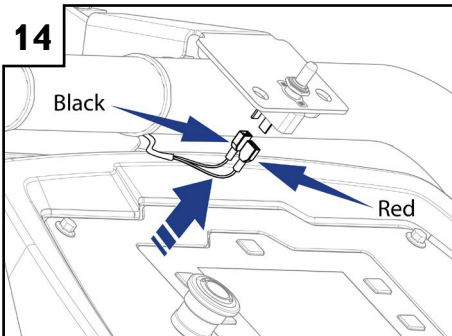
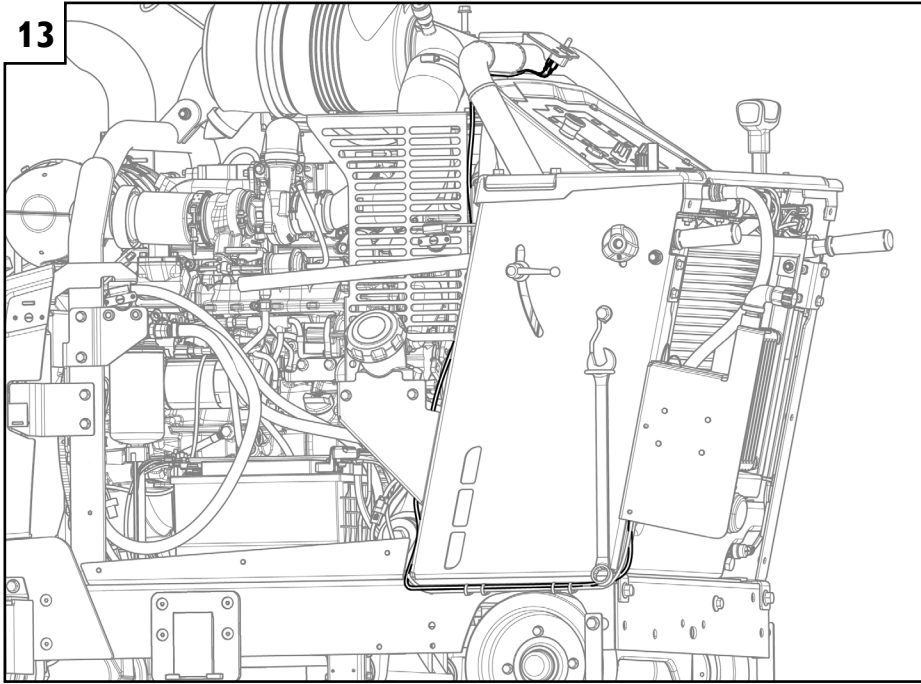
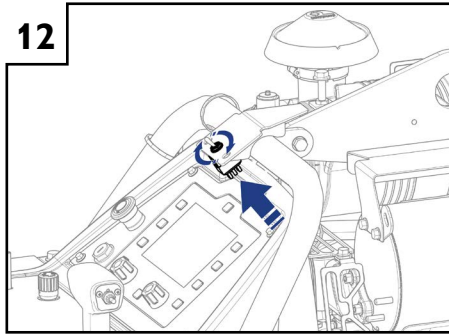
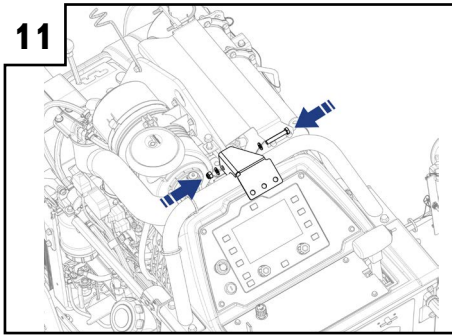
8. Insert the relay on K2 position and the fuse to the F2 position. (See electrical drawings [Fuses and Relays \(p. 10\)](#) for bigger picture.)

9. Fasten the ring terminal lug at the negative terminal connector.



10. Use tie straps to assemble the wire together with the other wiring harness.

INSTALL WATER PUMP KIT



11. Remove the old bolt and mount the bracket with the supplied bolt on the machine.

12. Mount the switch to the bracket.

13. Route the cable to the switch on the right hand side of the machine and up on the inside of the engine compartment towards the switch.

14. Connect the black wire to the upper connector and the red wire to the lower connector on the switch.

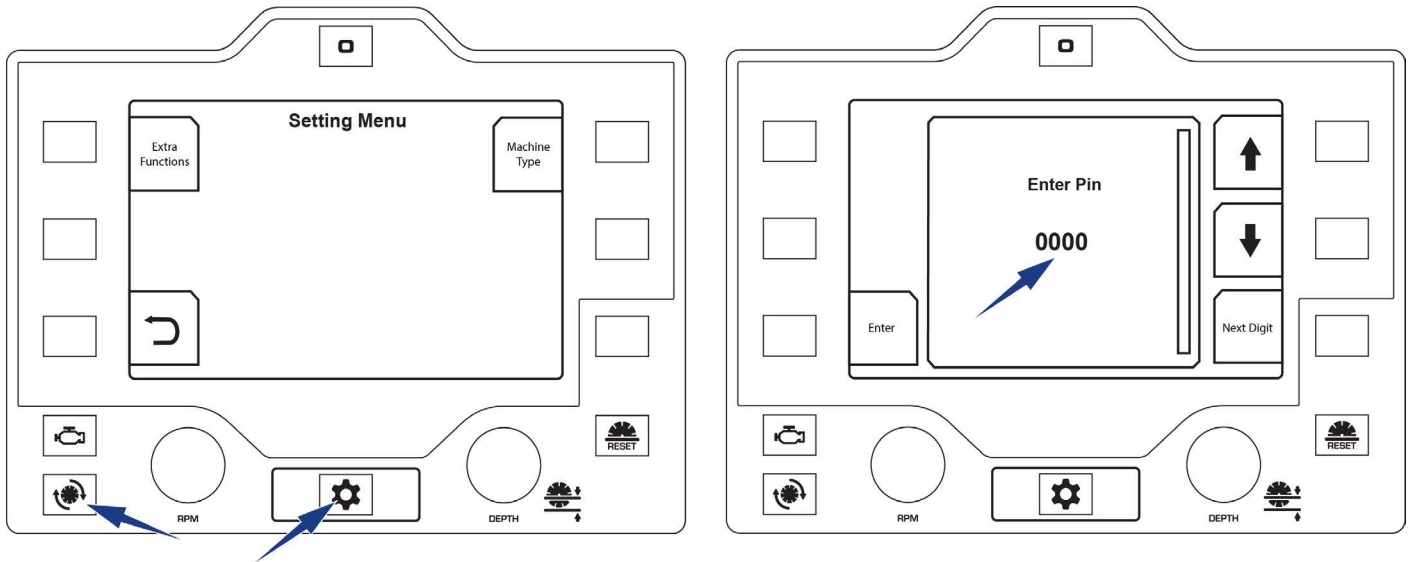
15. Reassemble the battery.

16. Connect the plus and minus terminal.

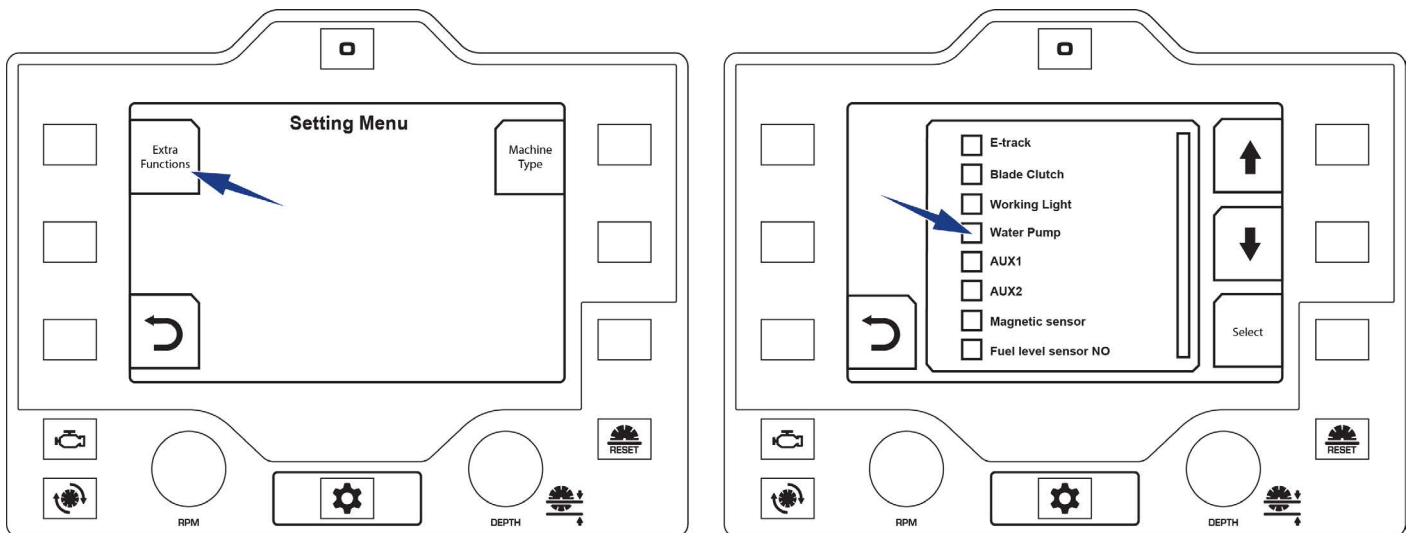
Reverse step to reassemble the relay box hatch and all the covers.

3. SWITCH ON THE WATER PUMP ON THE HMI DISPLAY

Setting Menu



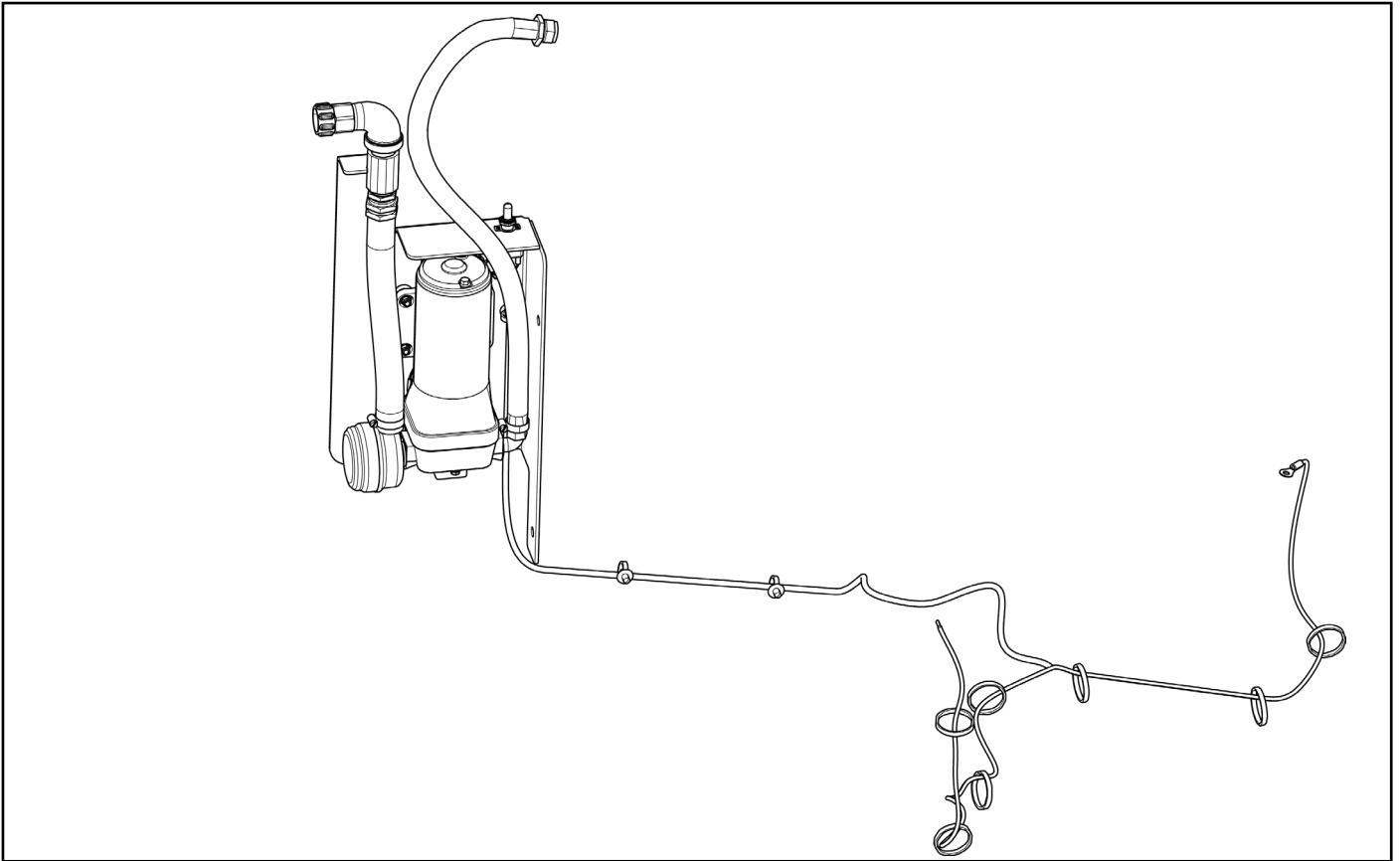
To access the Setting Menu press the “Menu” button and “Display of blade speed, rpm” down at the same time. Enter your Pin code.



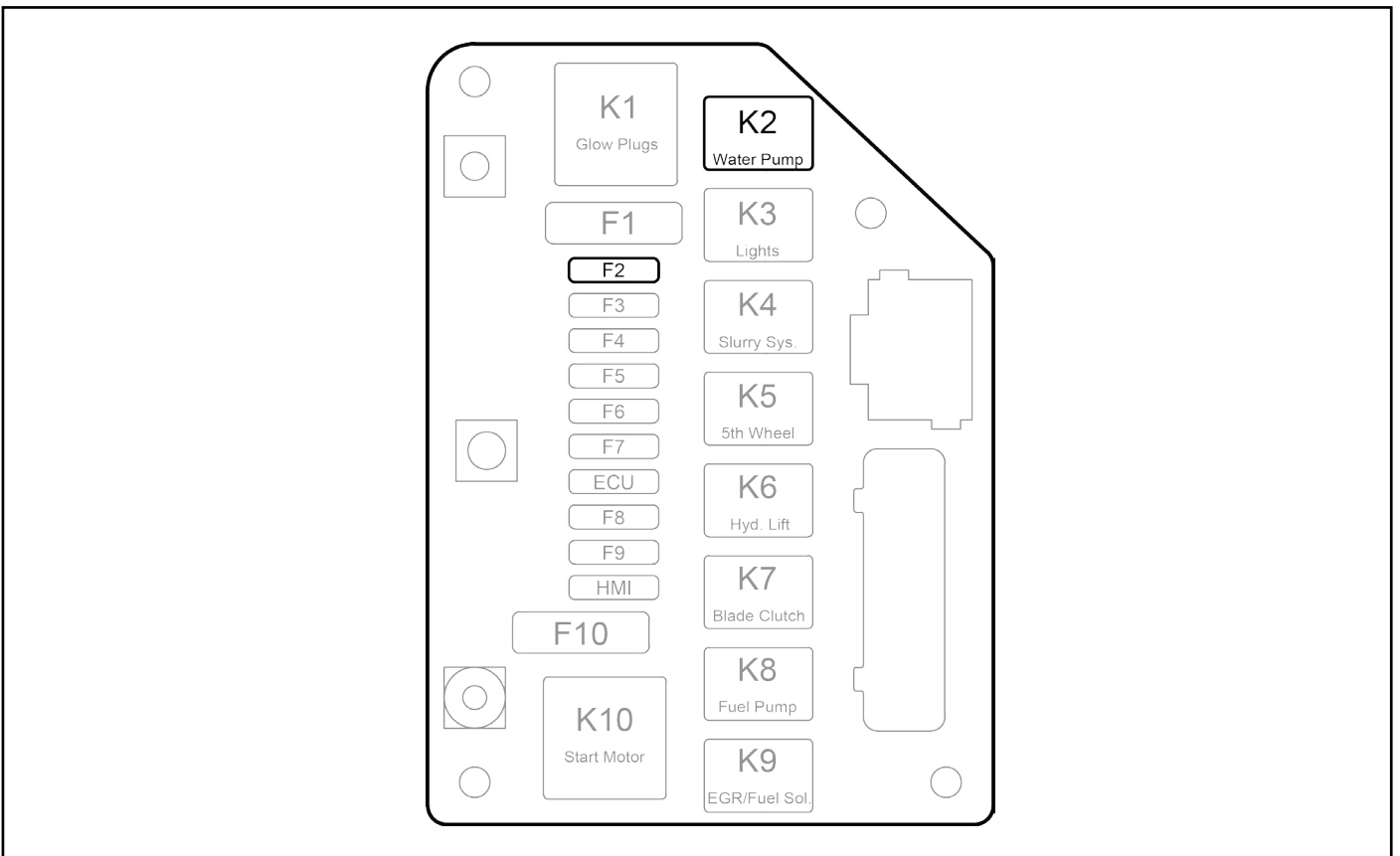
To switch on the water pump kit, select model and check in “Water Pump”.

4. ELECTRICAL DRAWINGS

Water Pump Kit Components



Fuses and Relays





www.husqvarnacp.com

115 84 10-26

English