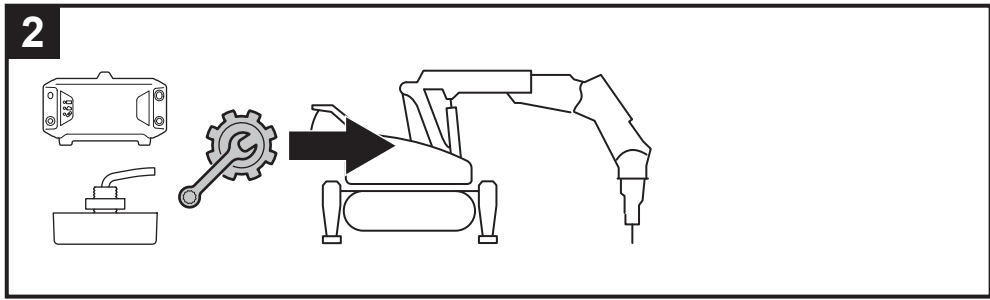
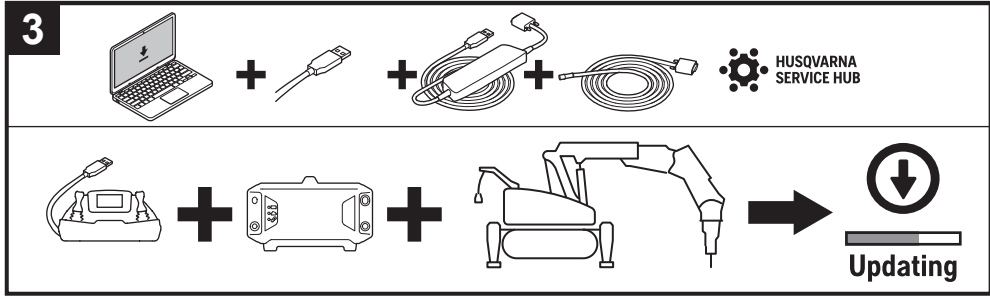


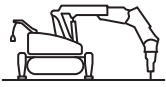
Update (FOTA)



Mount

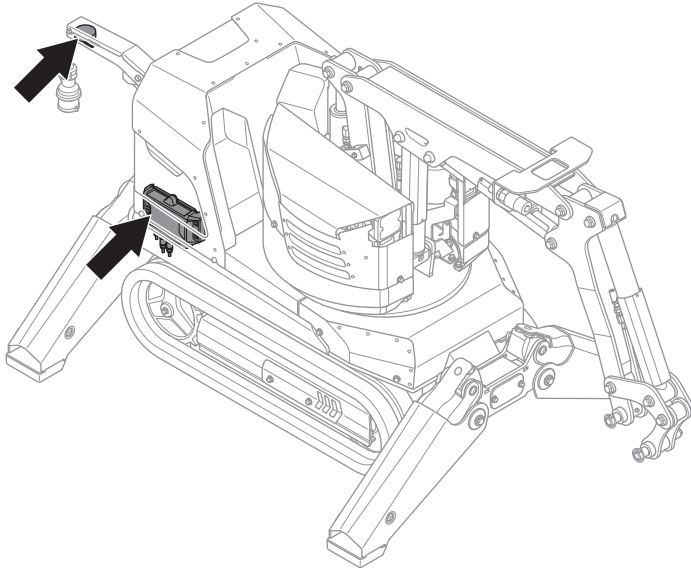


Update Firmware  
via Husqvarna  
Service Hub

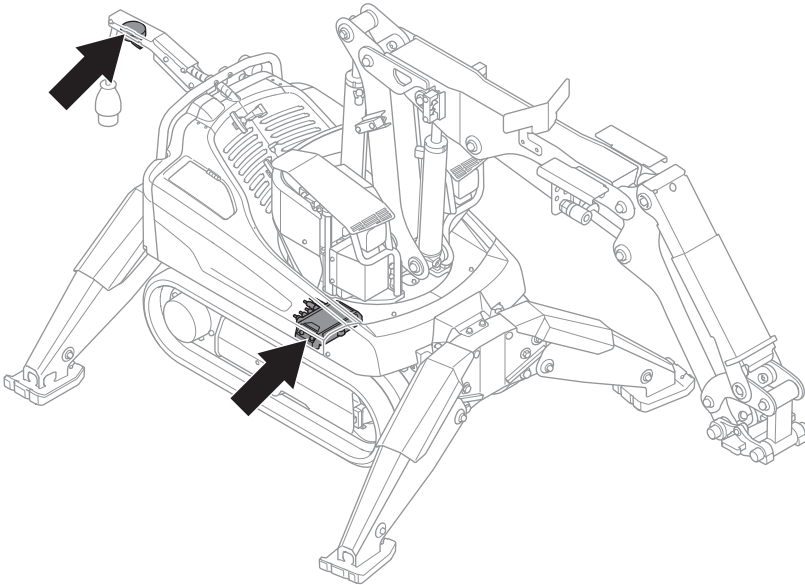


HCM 500 - DXR KIT

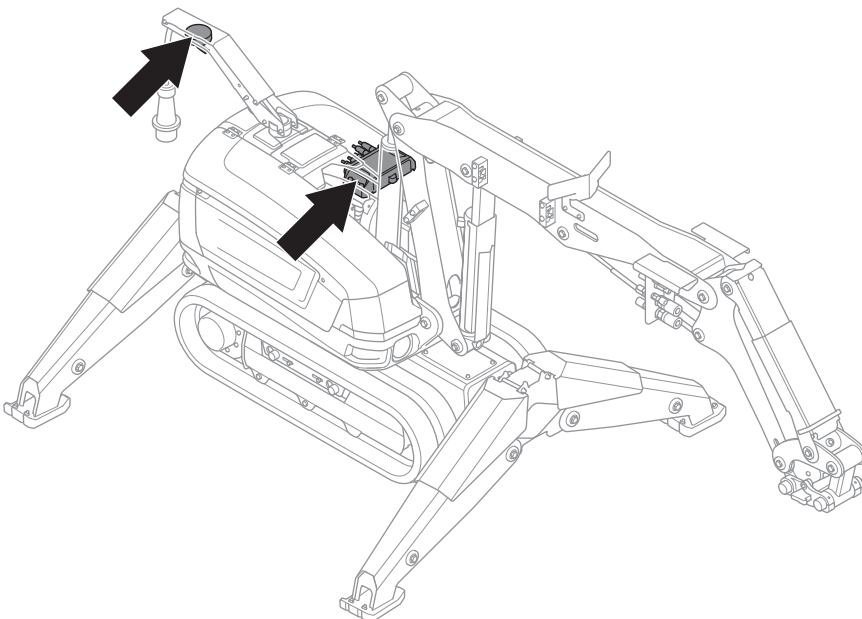
**Husqvarna**<sup>®</sup>



**DXR 95**



**DXR 145**

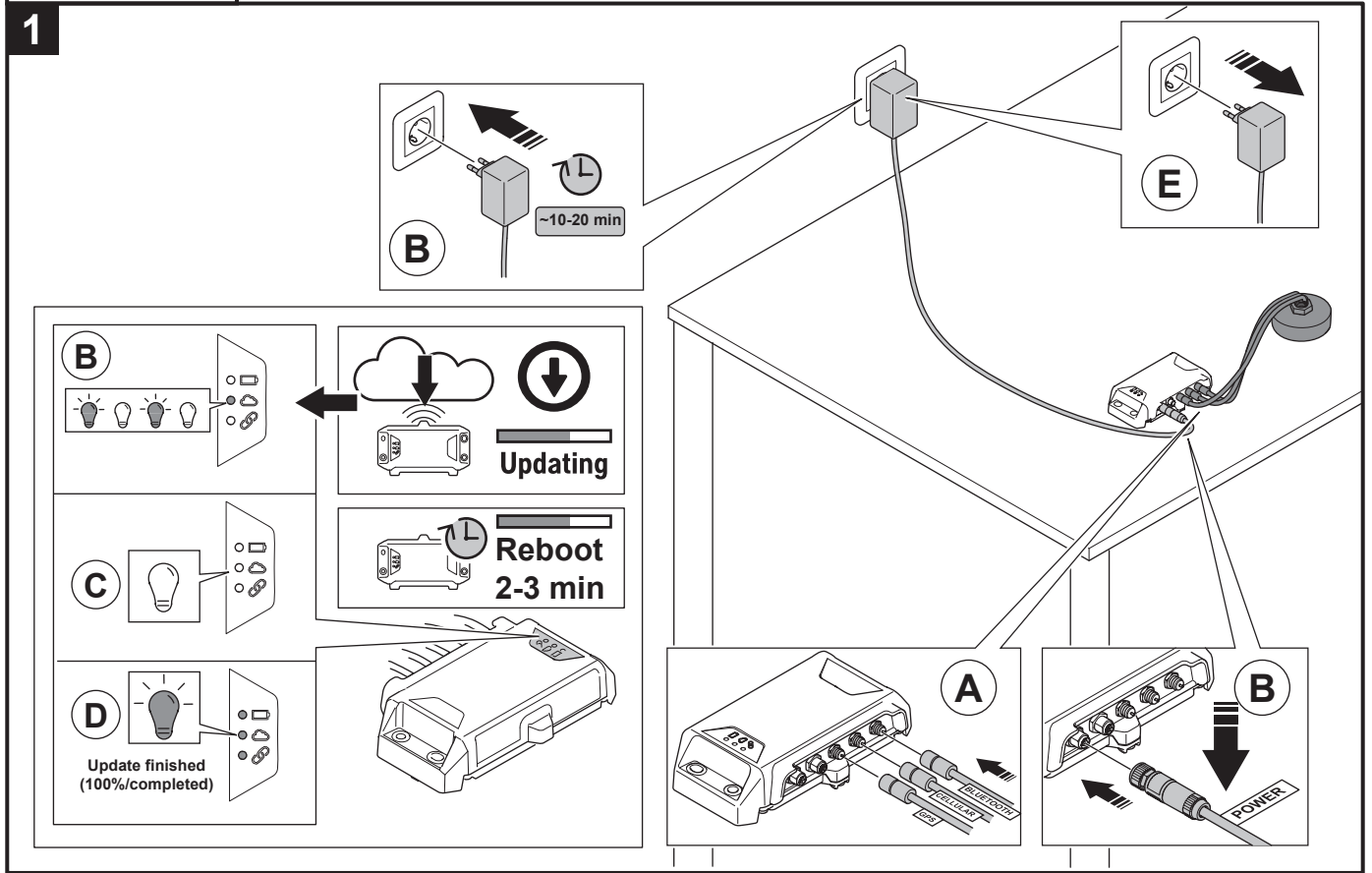


**DXR 275, 305, 315**

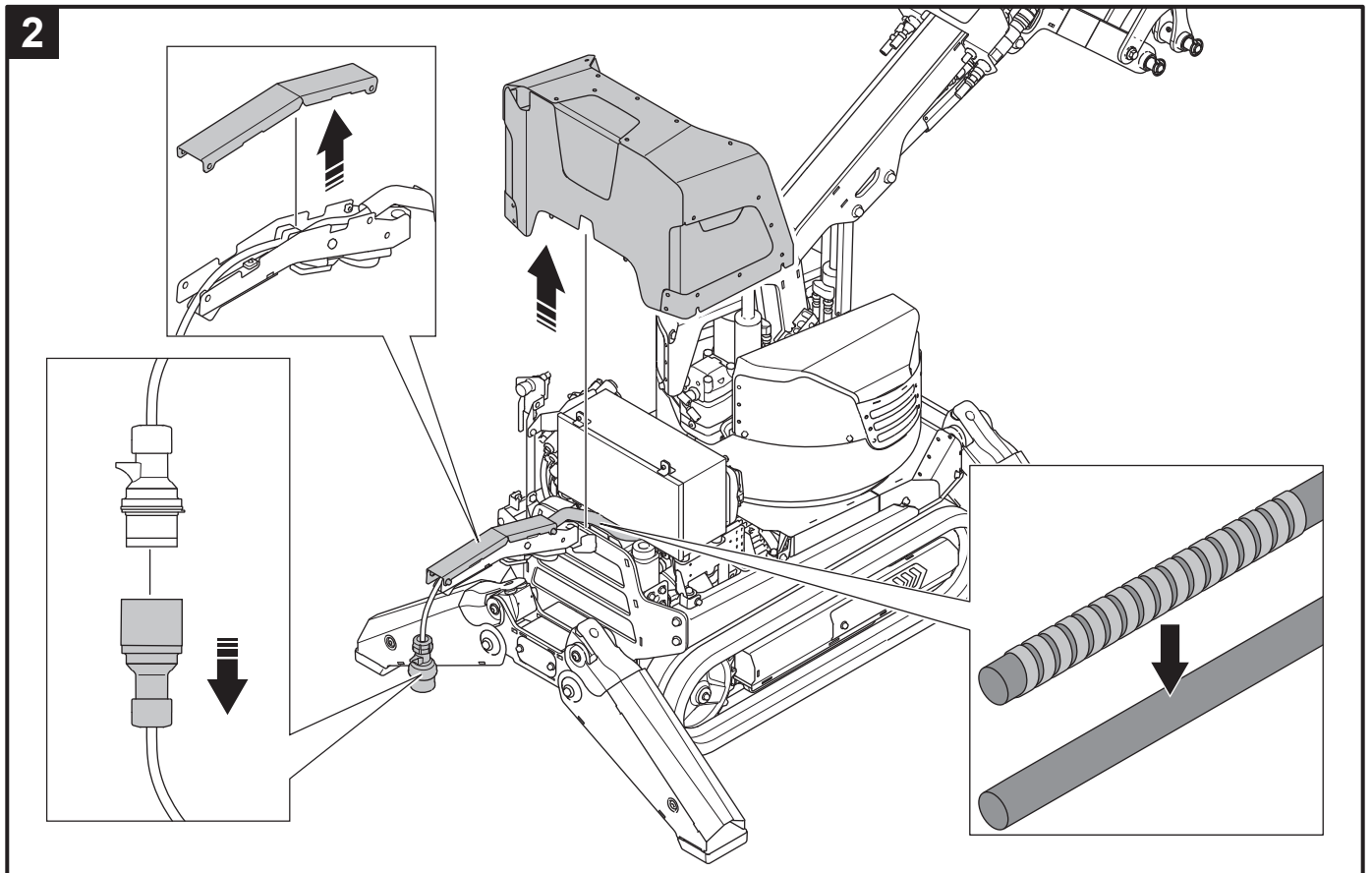


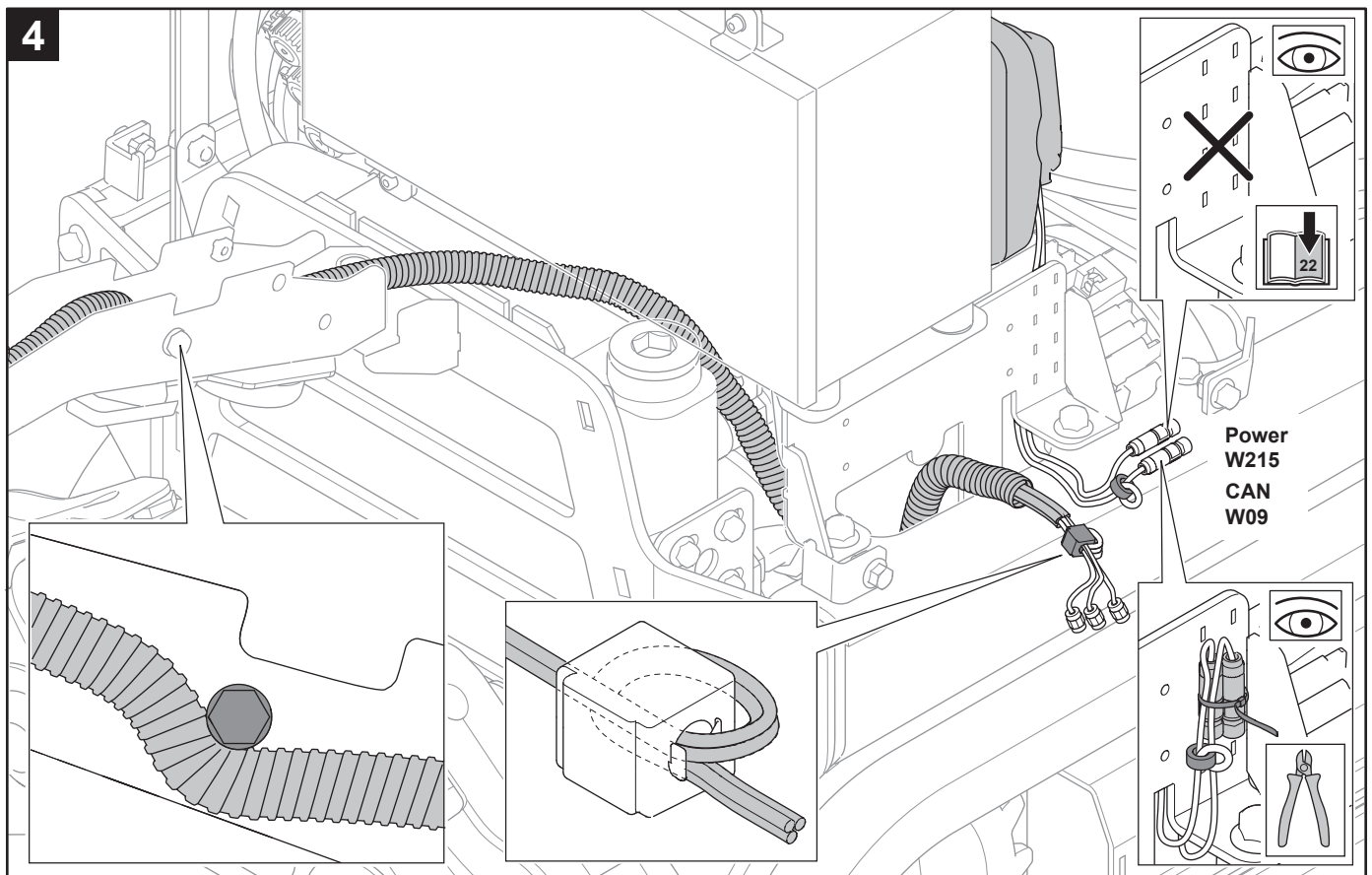
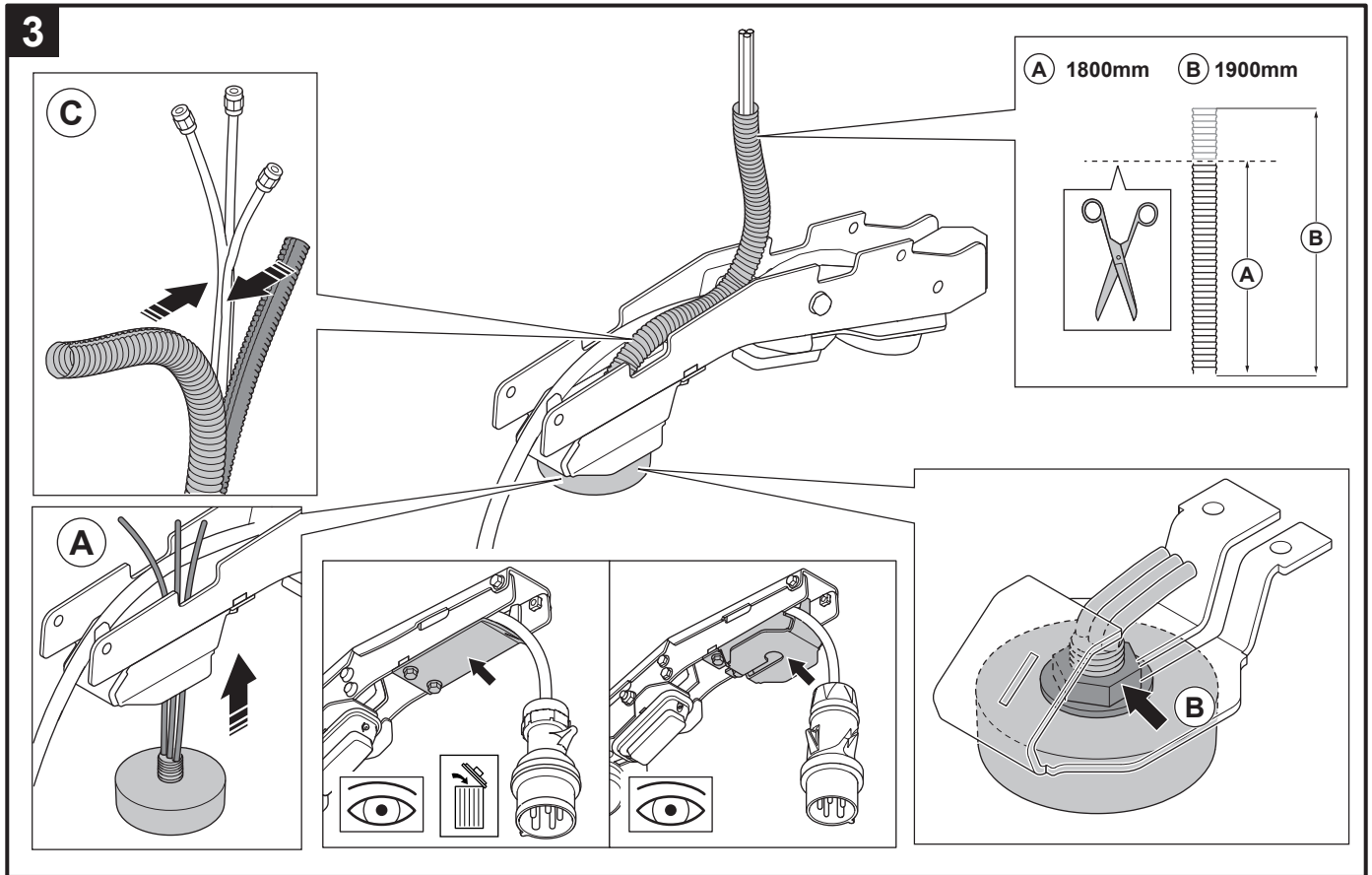
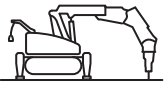
DXR 95

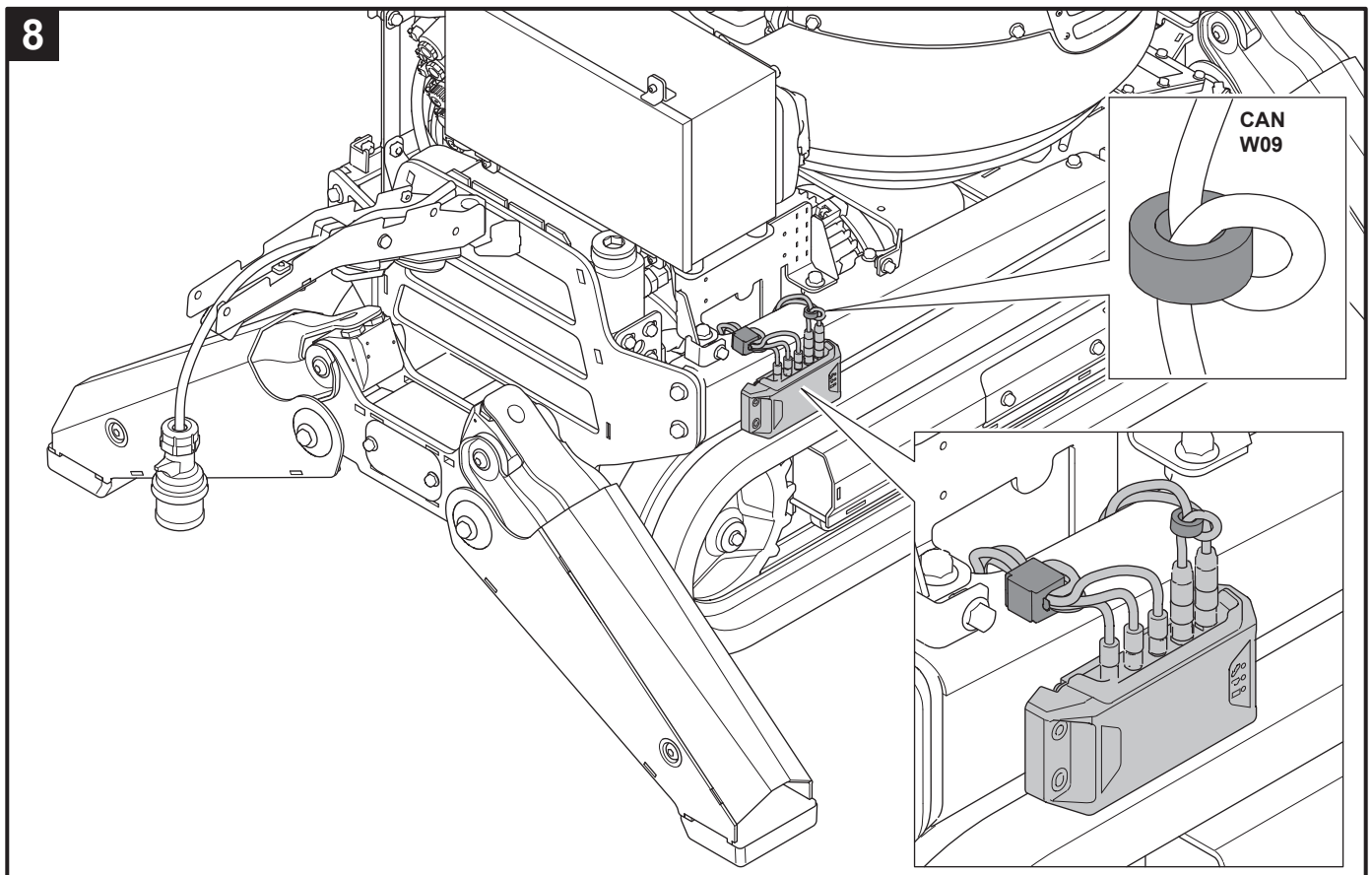
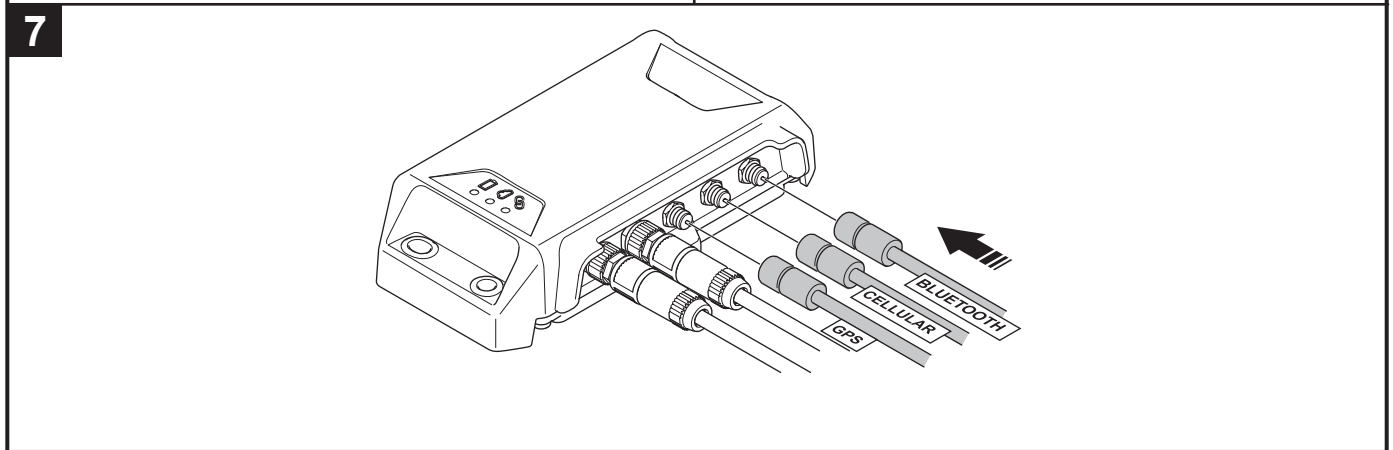
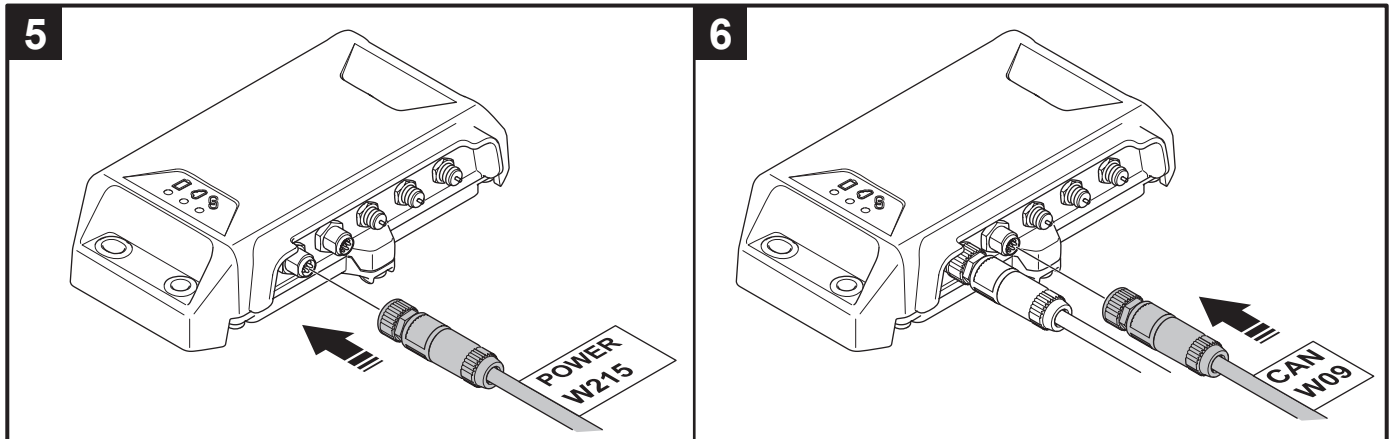
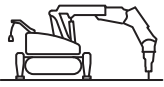
1

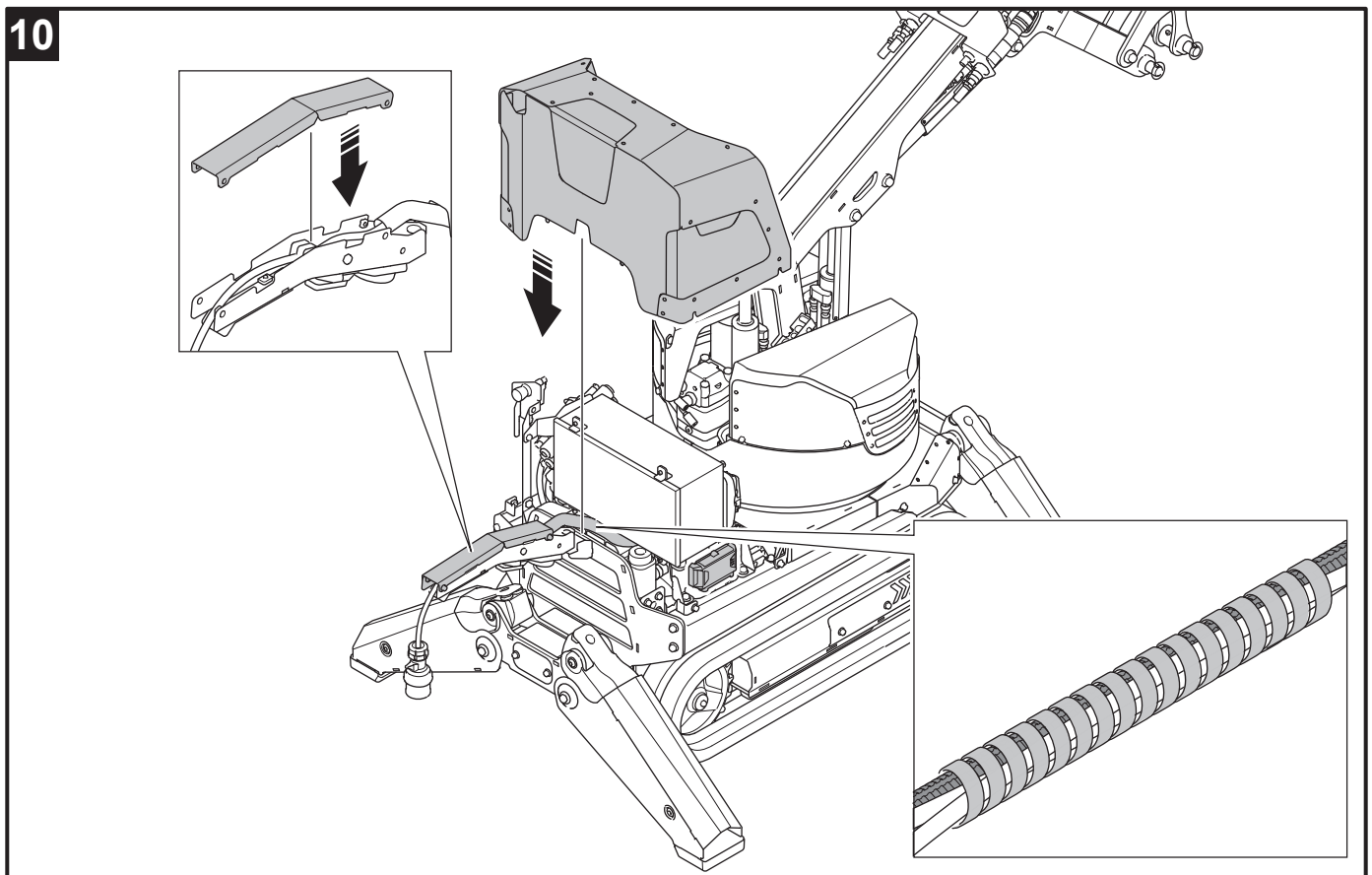
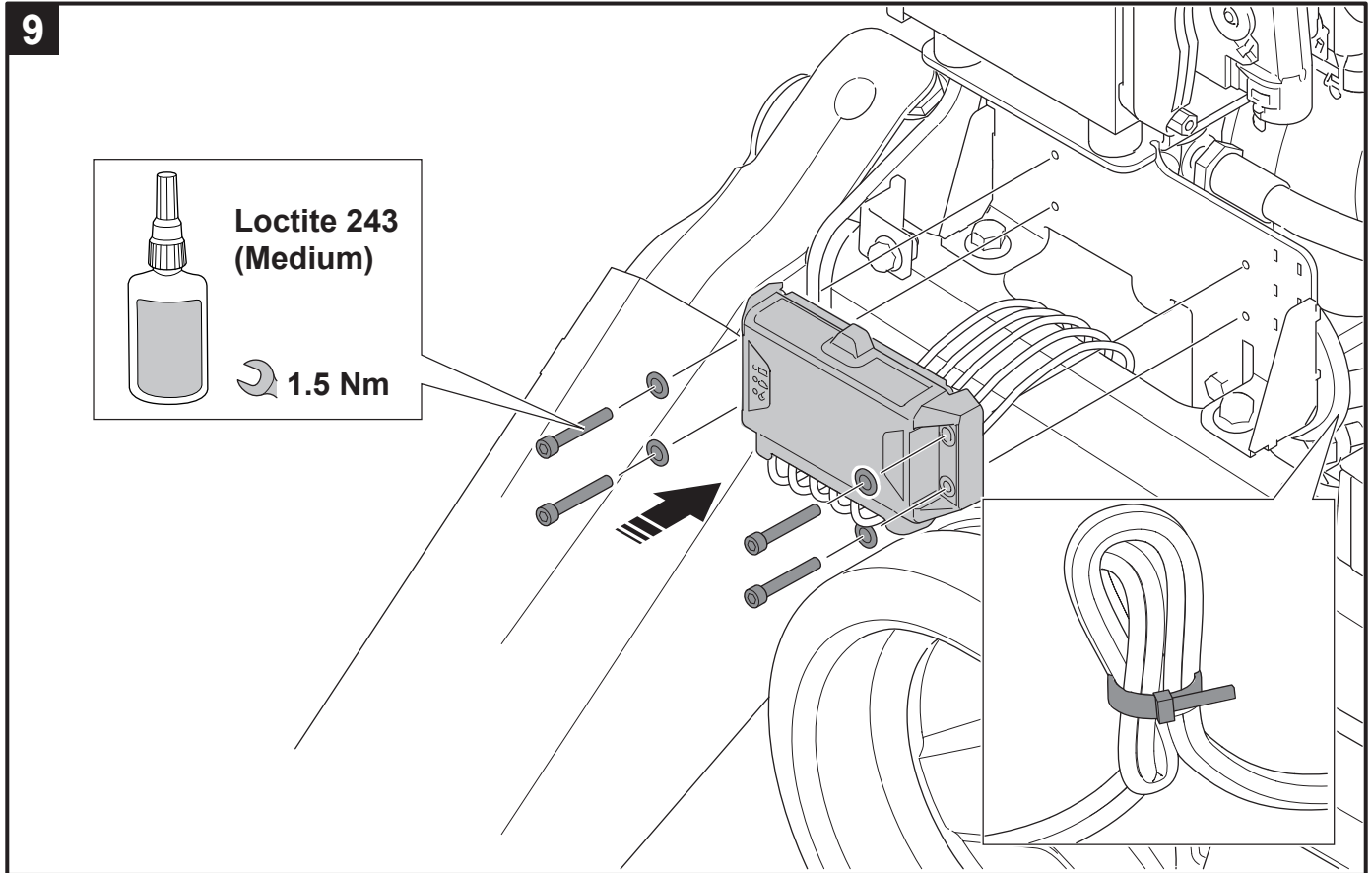
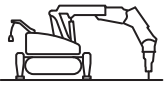


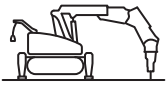
2











**11**

HUSQVARNA SERVICE HUB

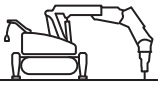
Update Firmware  
via Husqvarna  
Service Hub

Updating

23 24

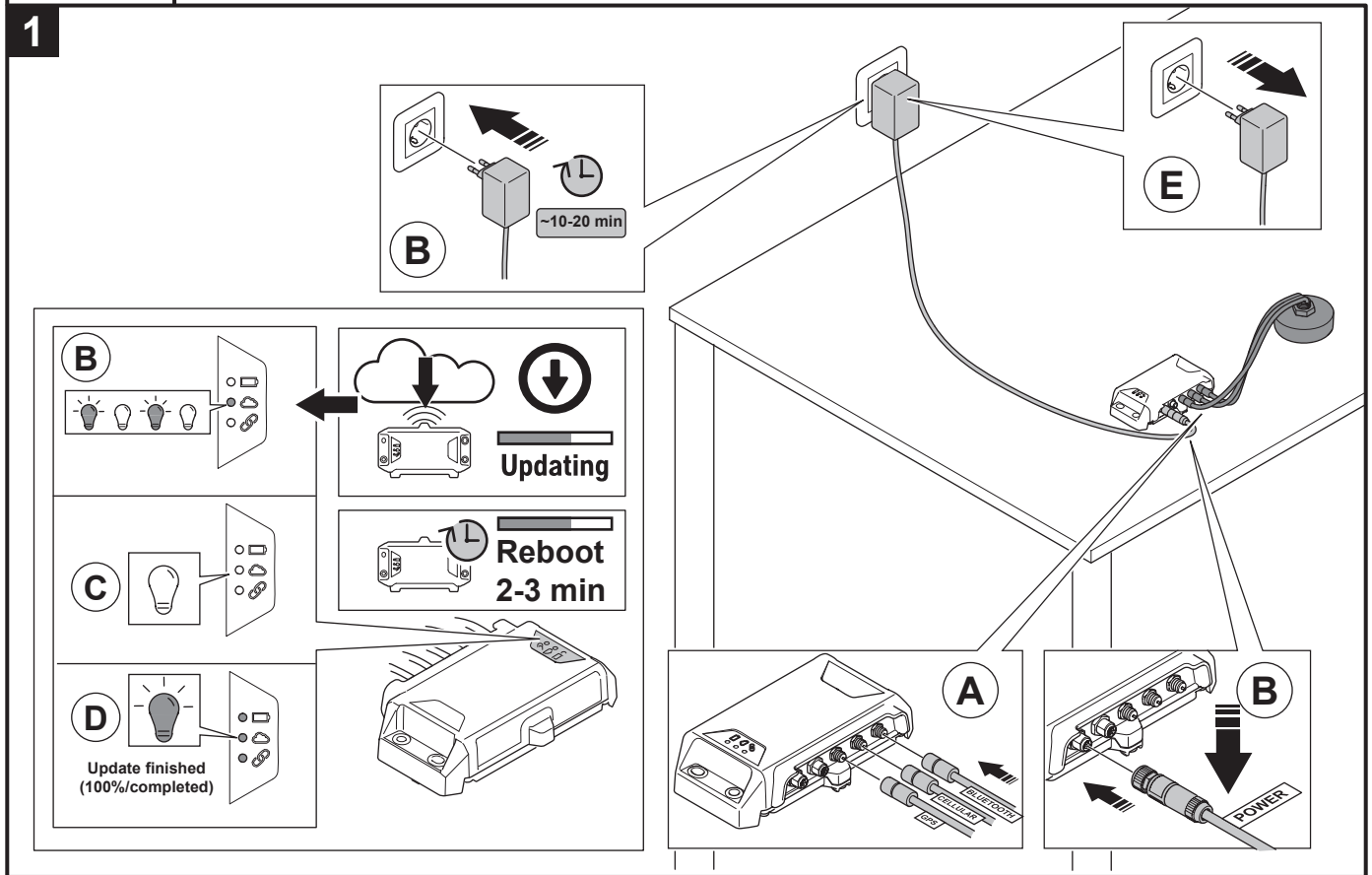
**12**

Reset machine and  
remote error logg.

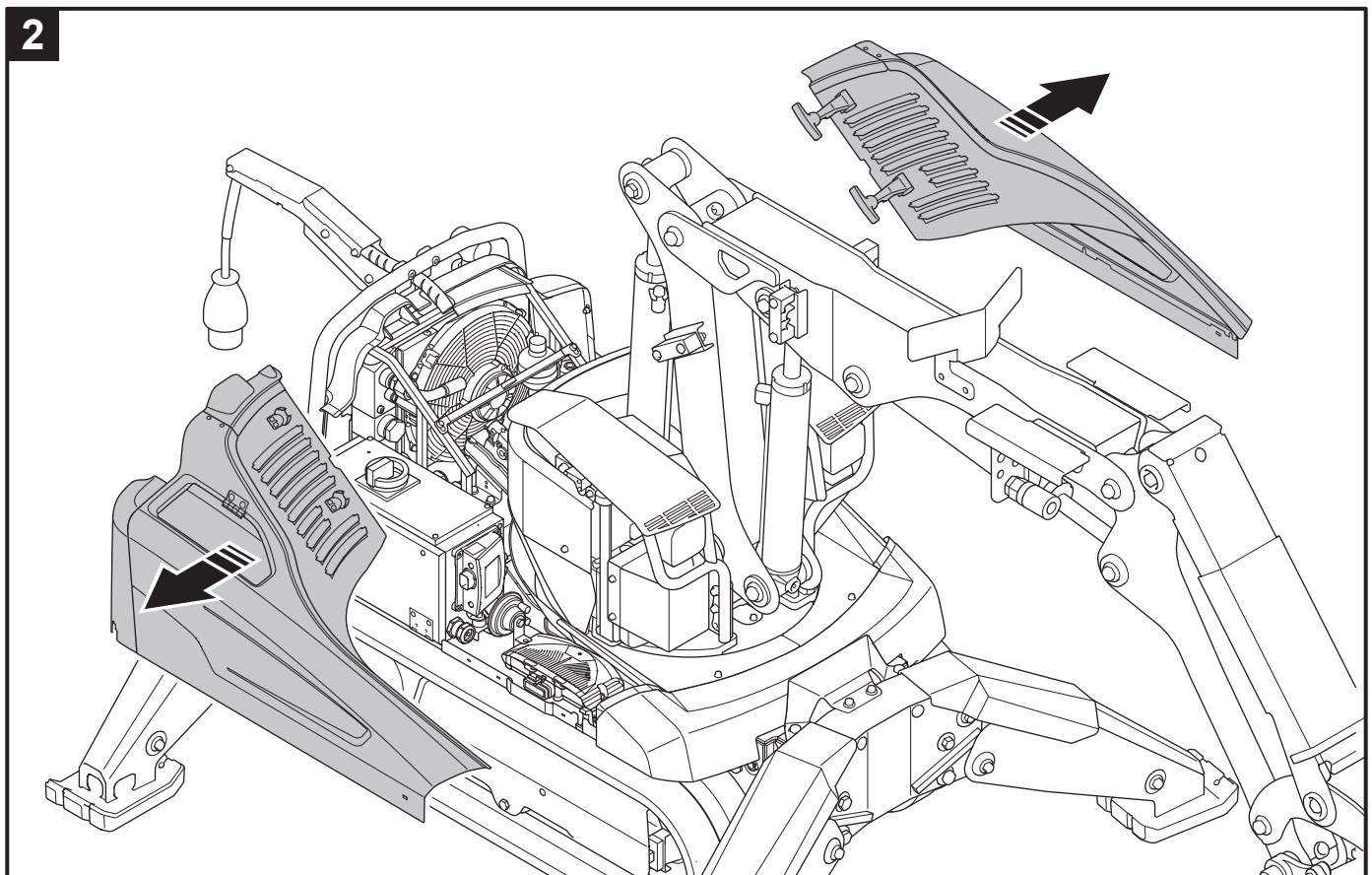


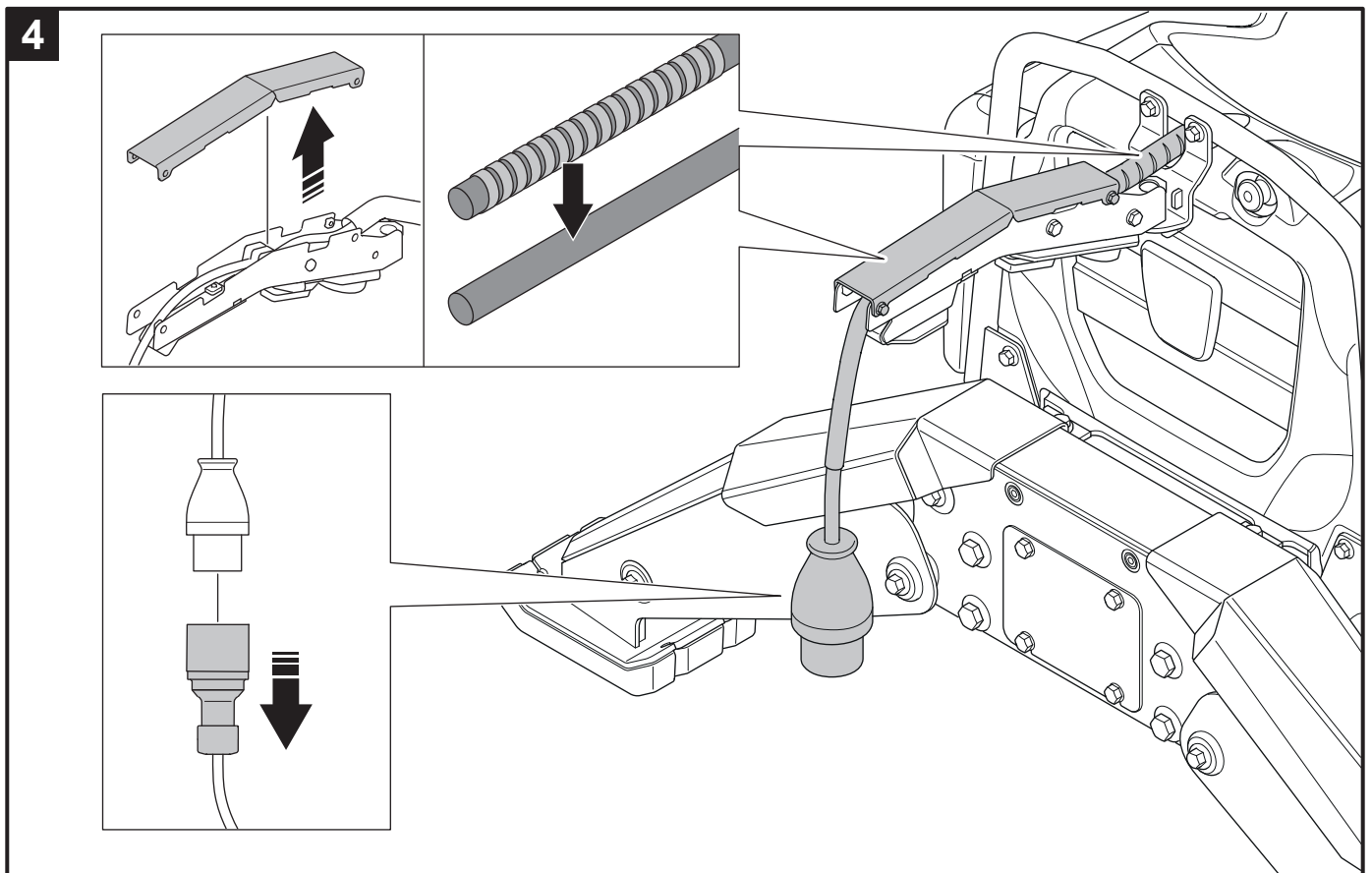
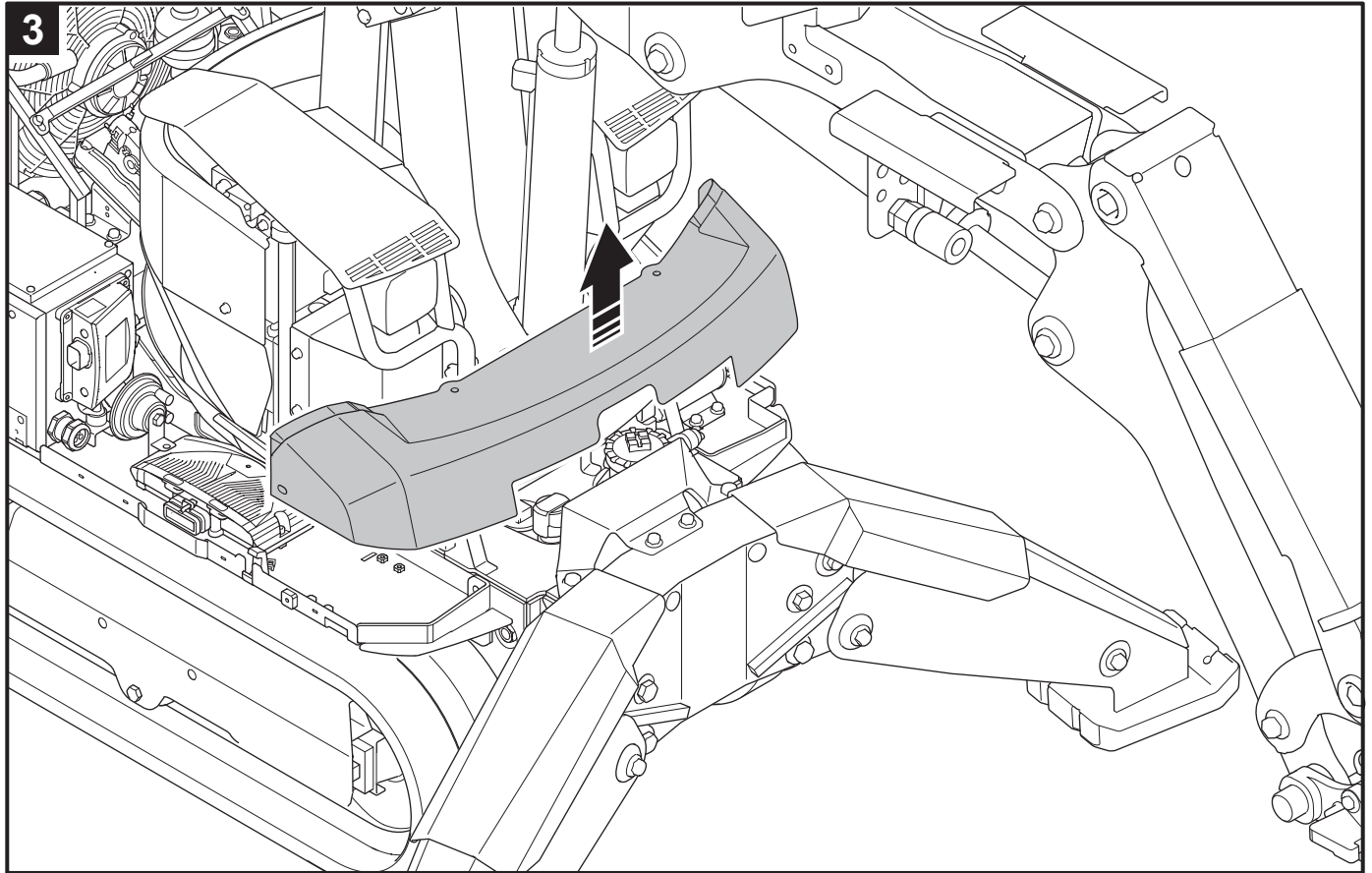
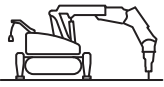
DXR 145

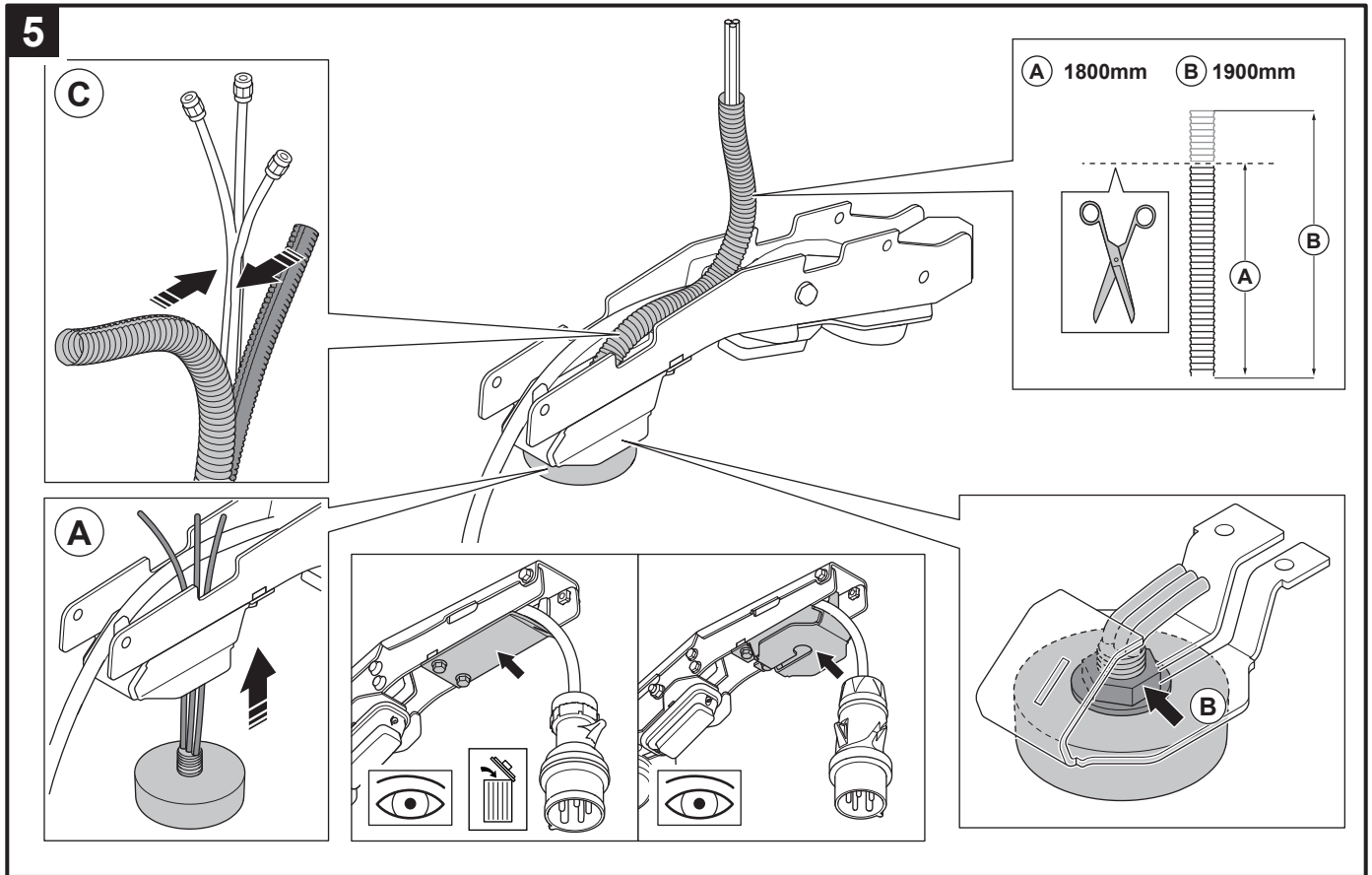
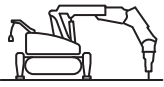
1

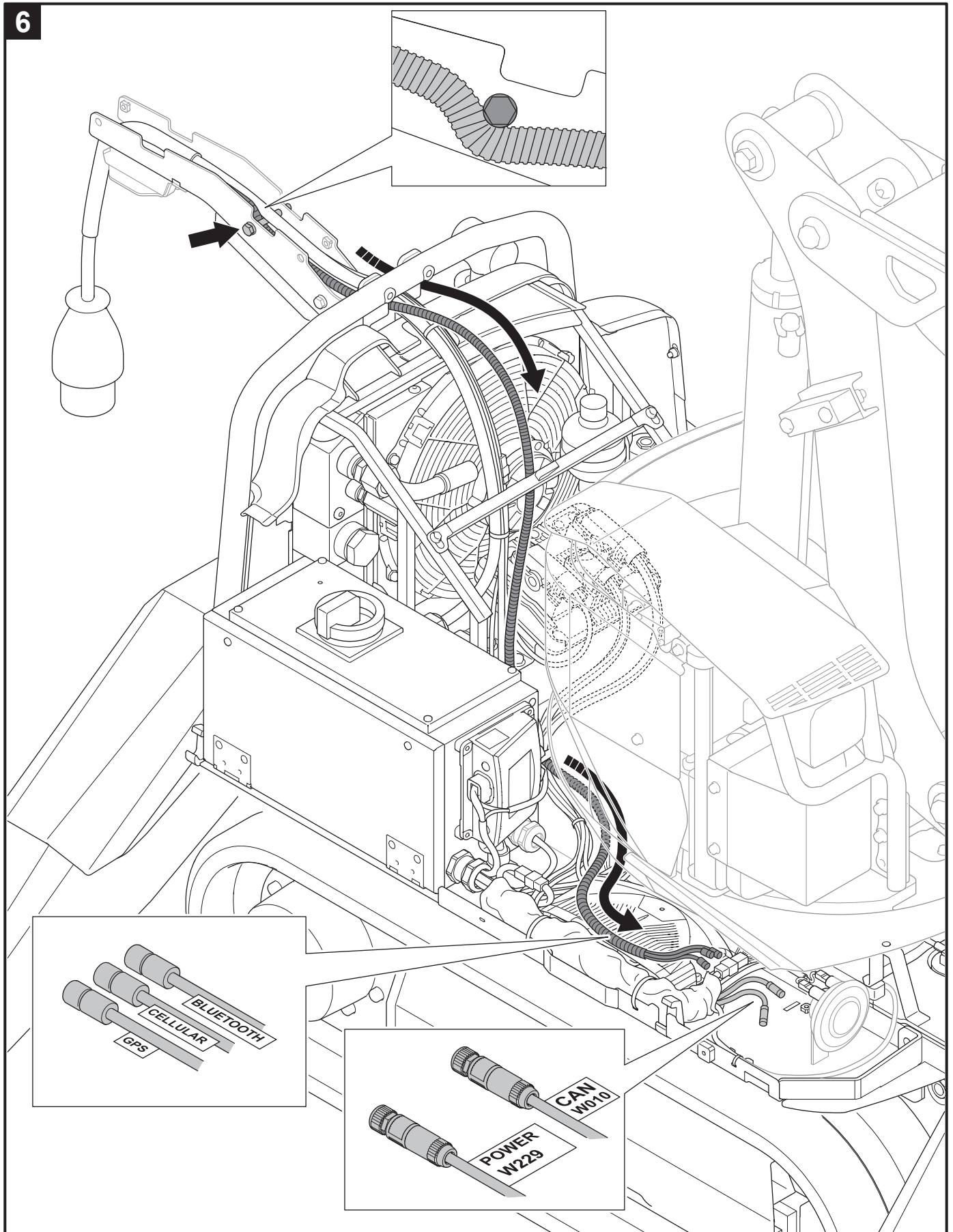
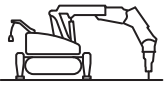


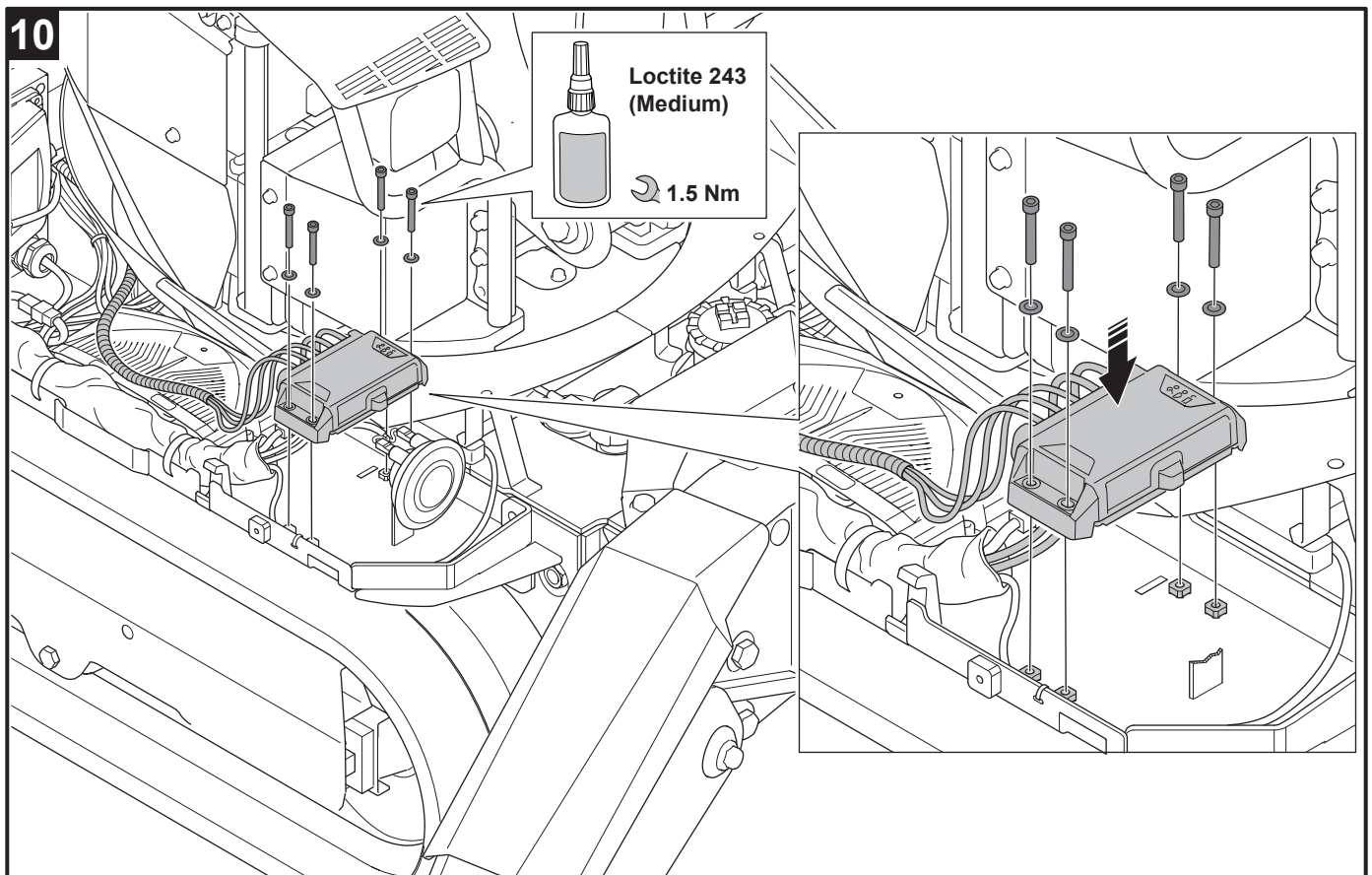
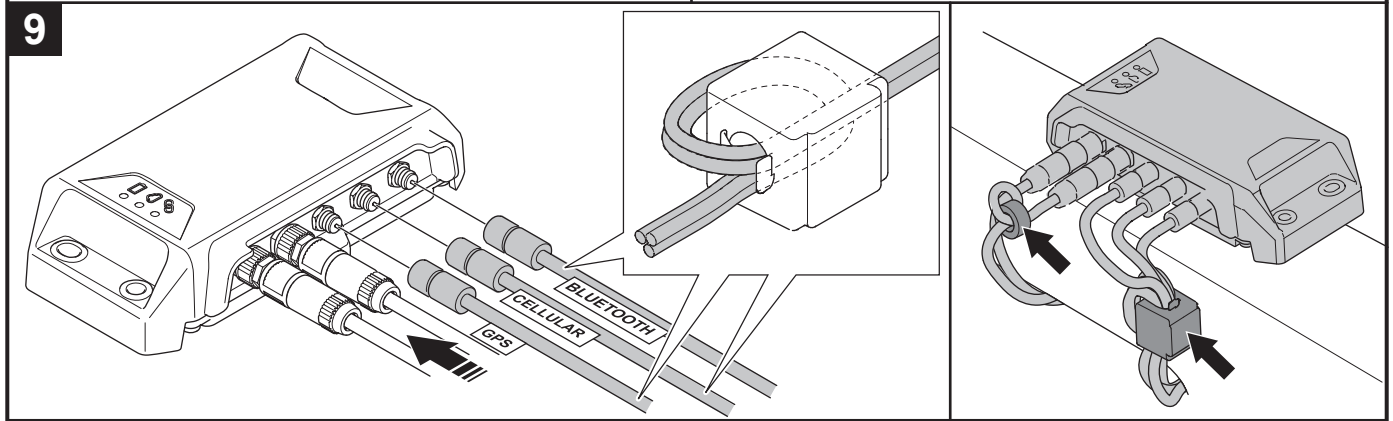
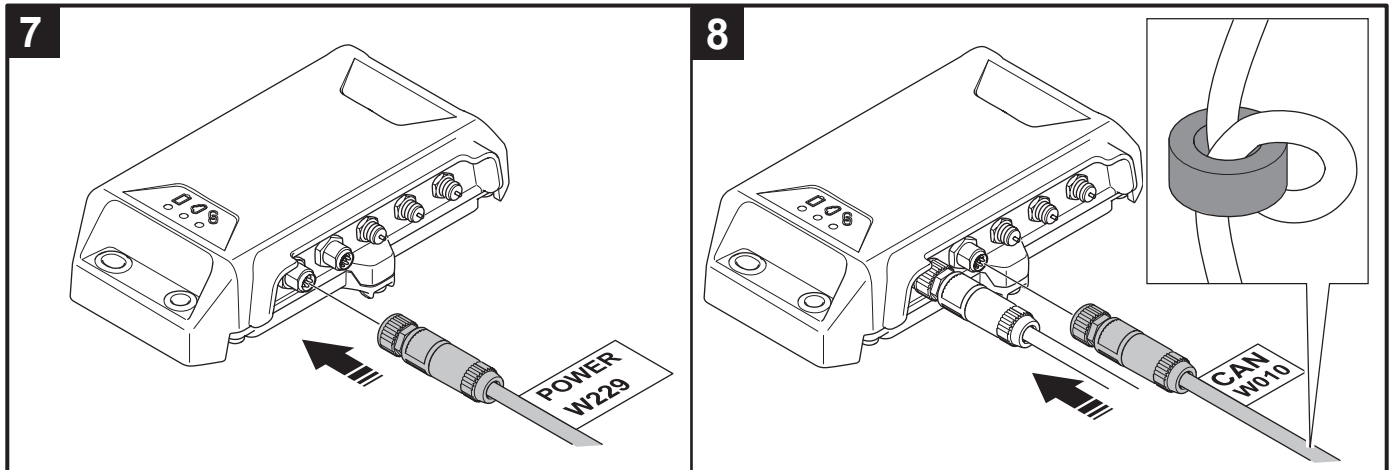
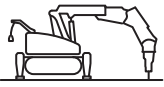
2

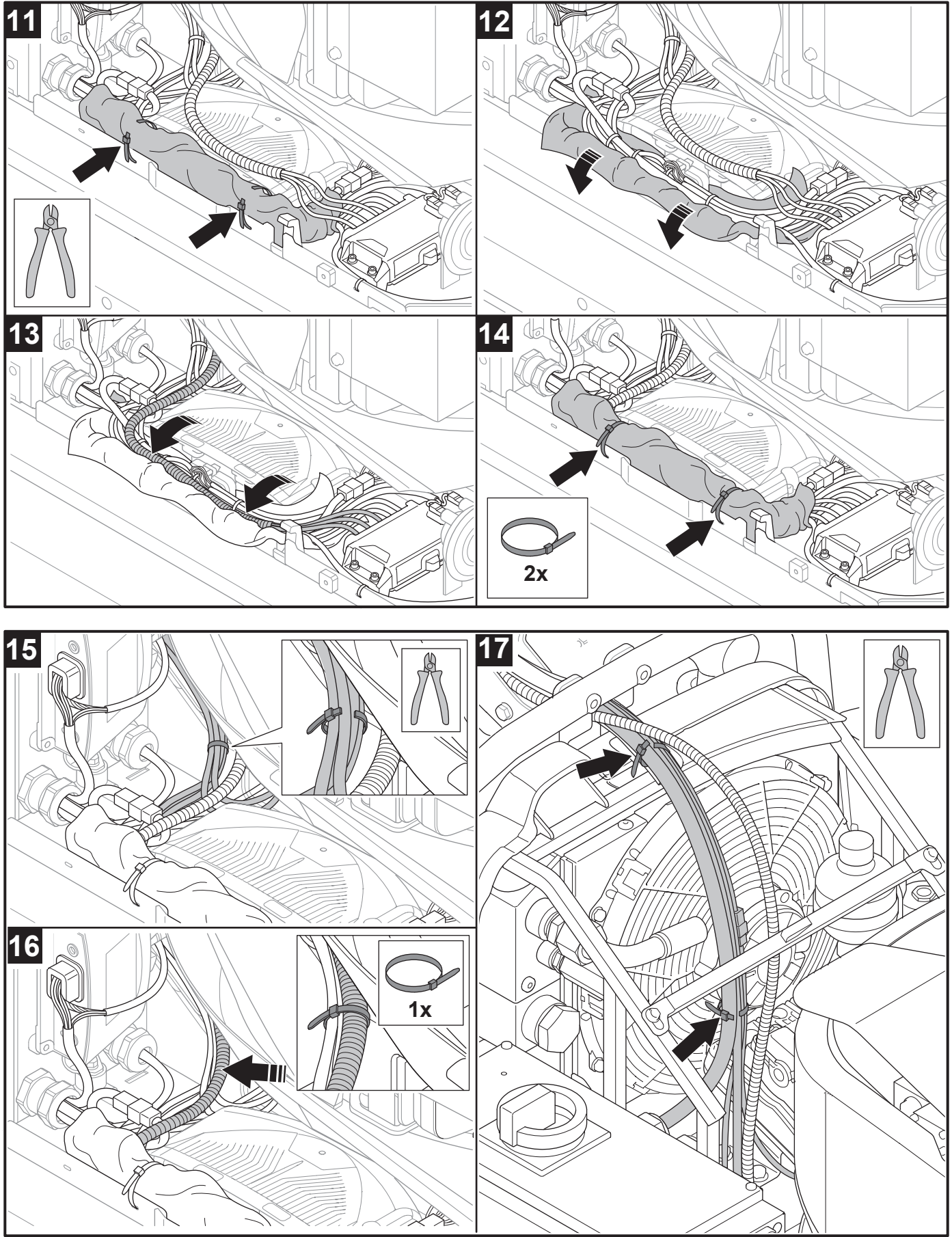
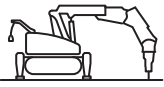


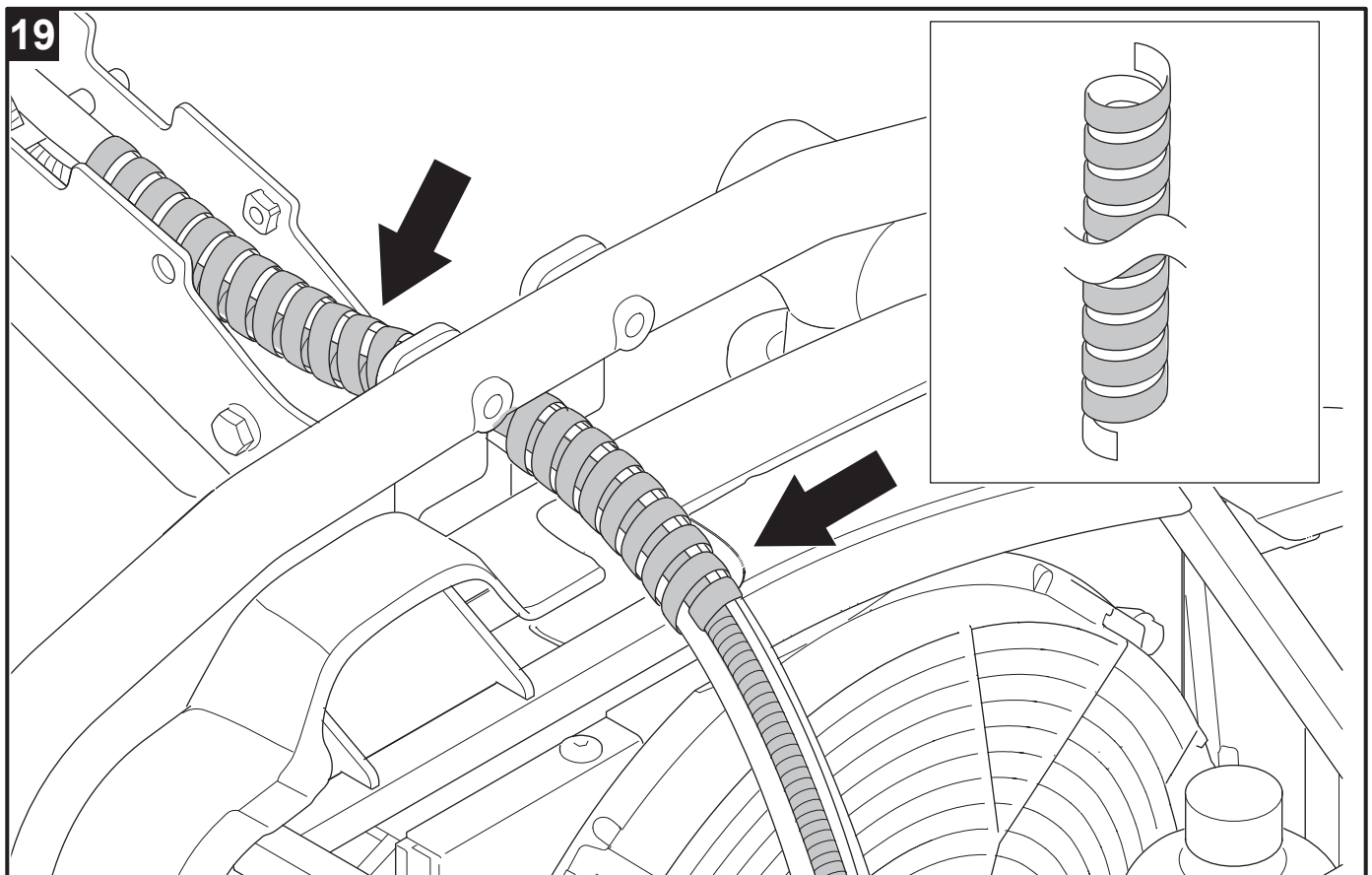
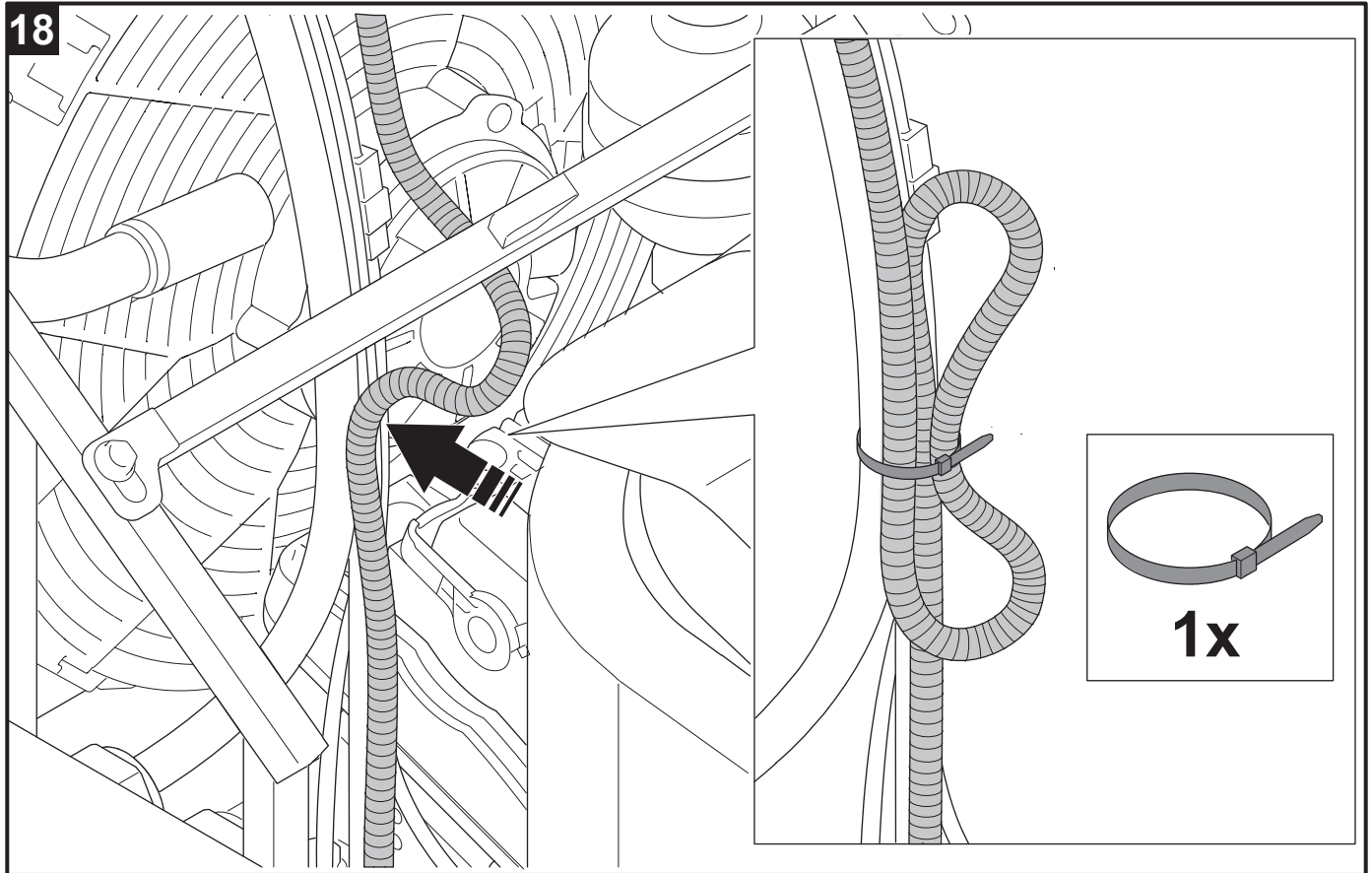
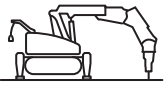


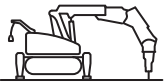




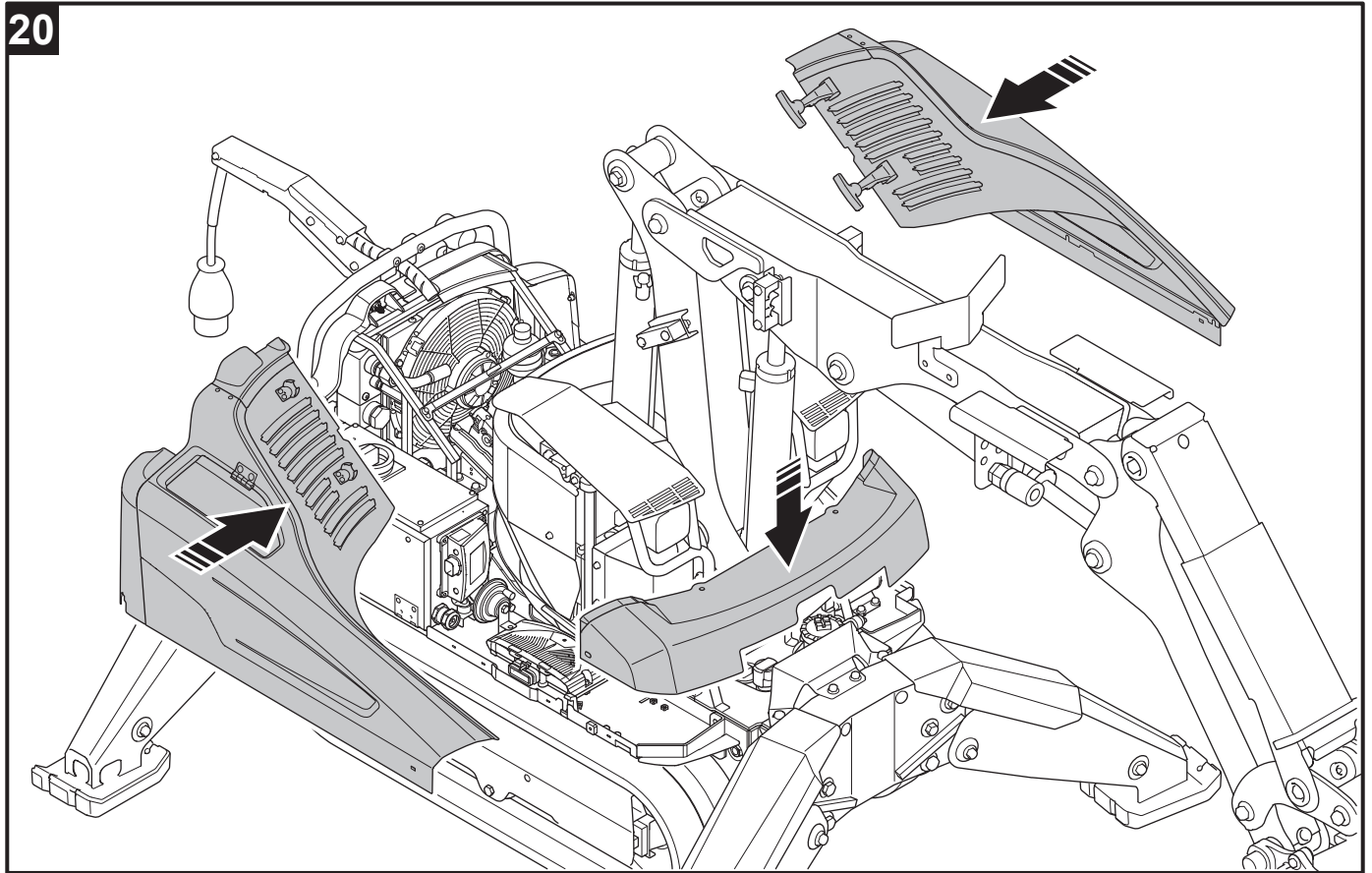




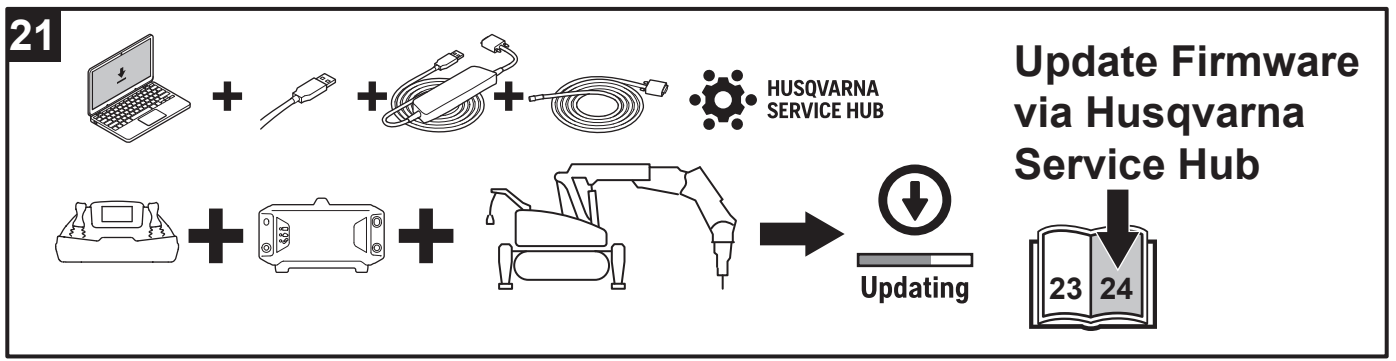




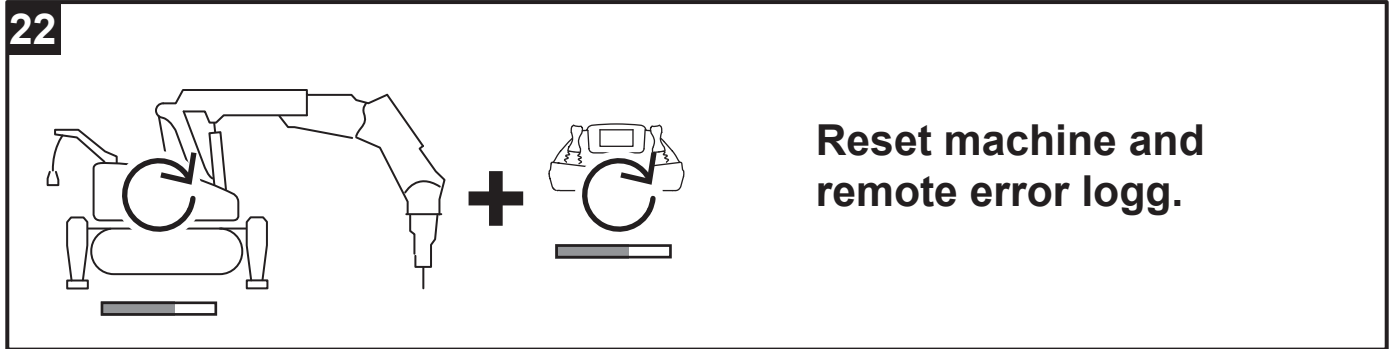
20

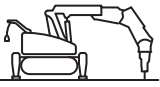


21

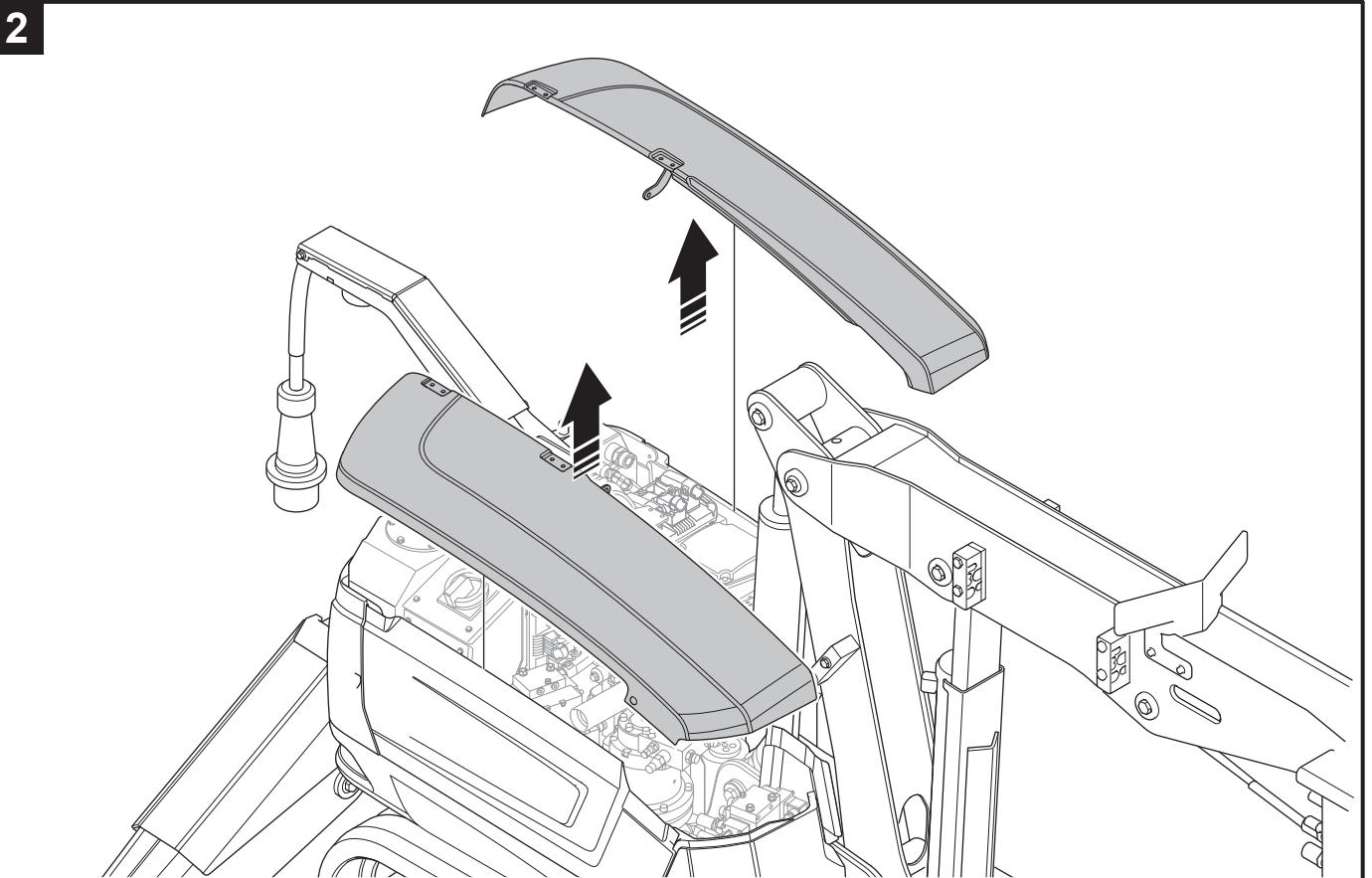
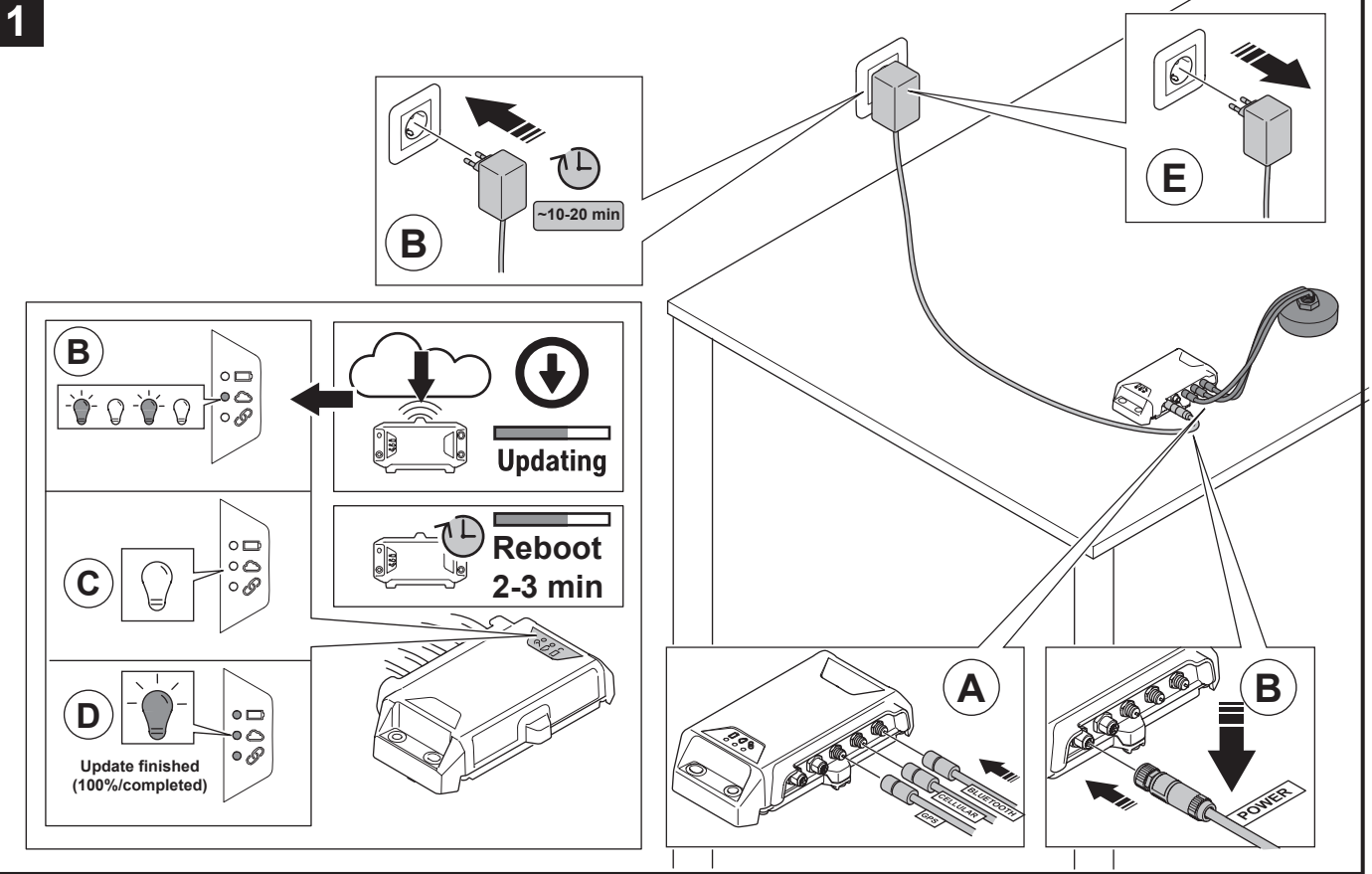


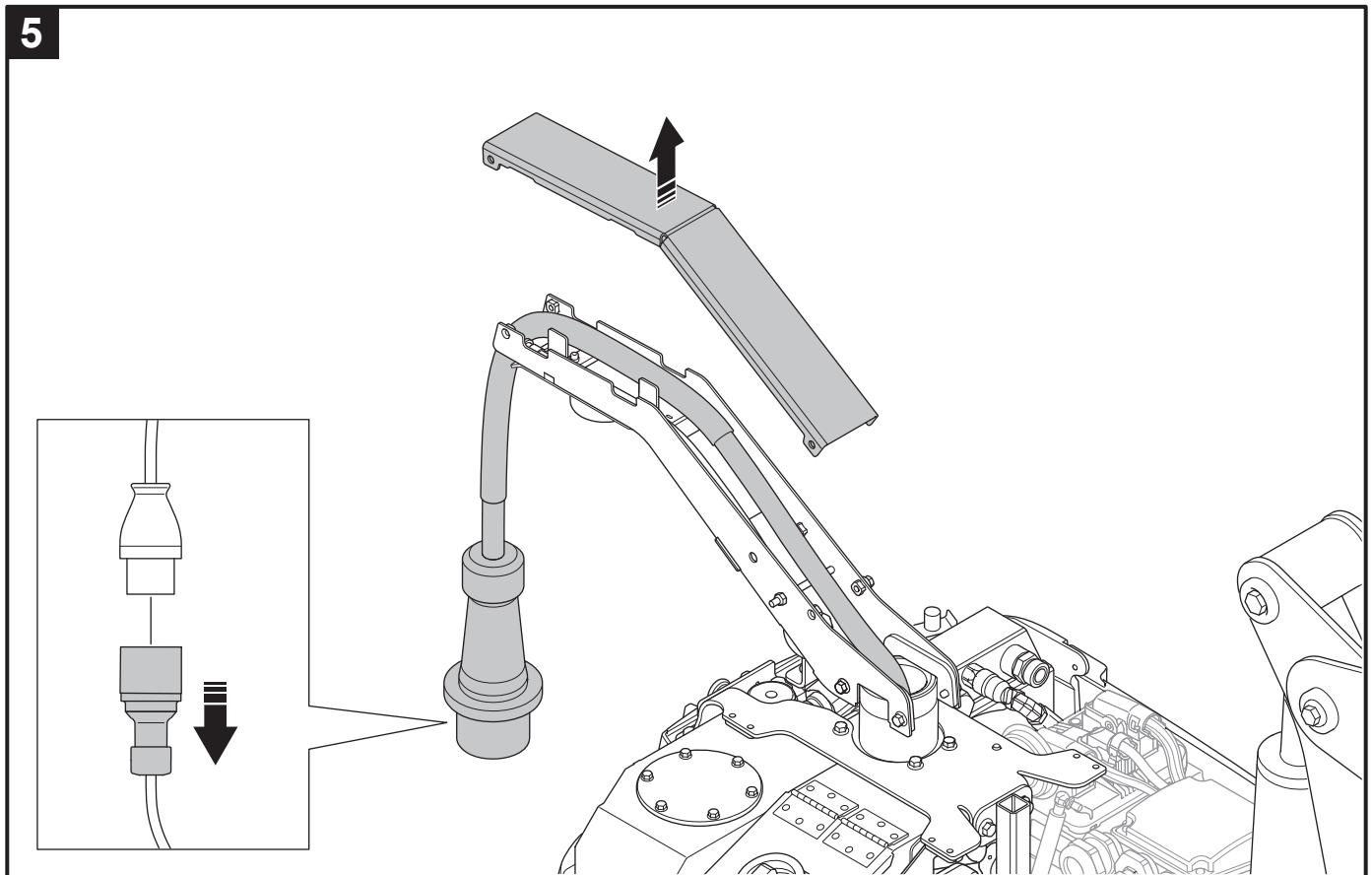
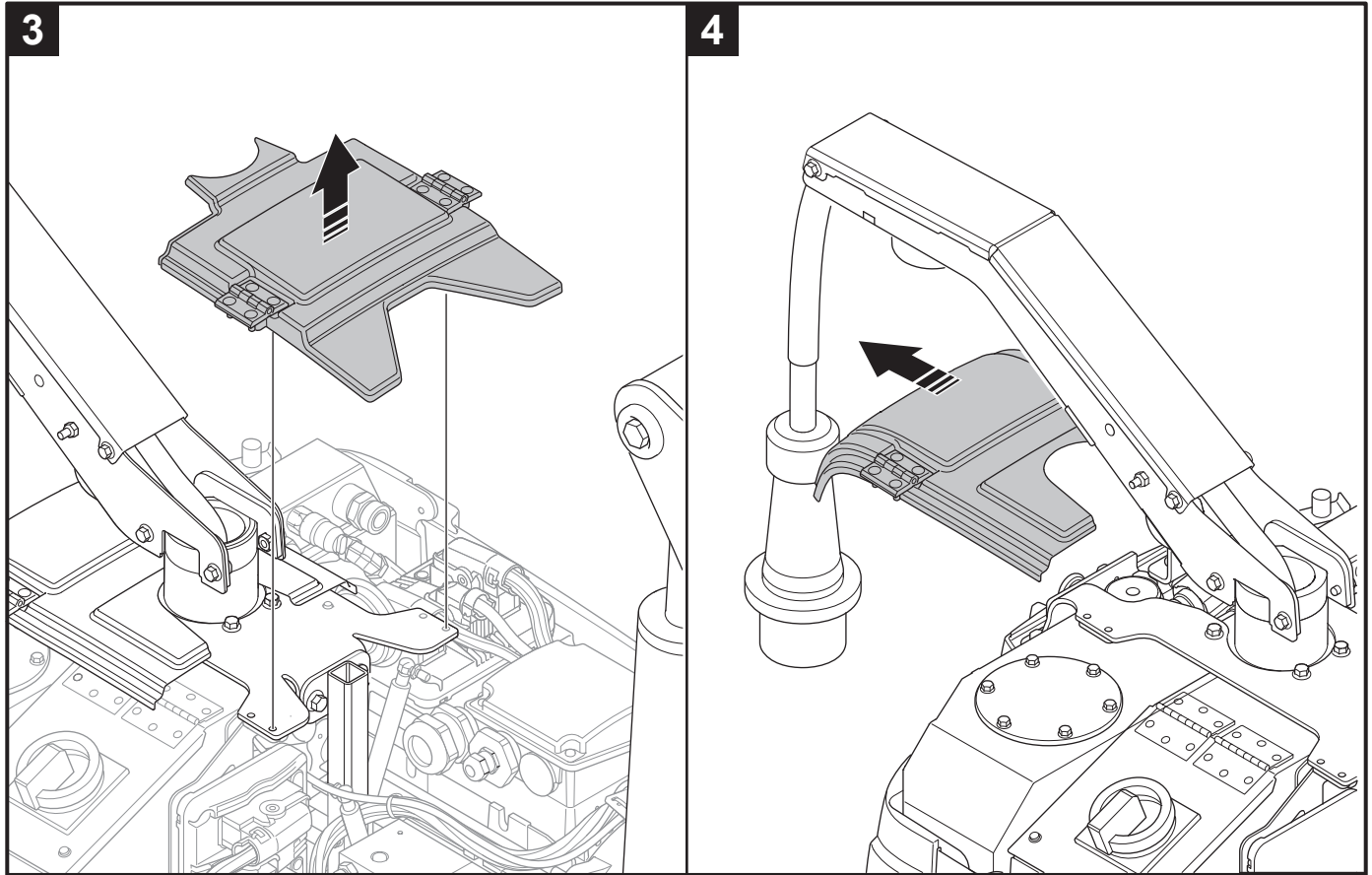
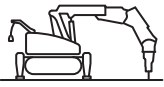
22

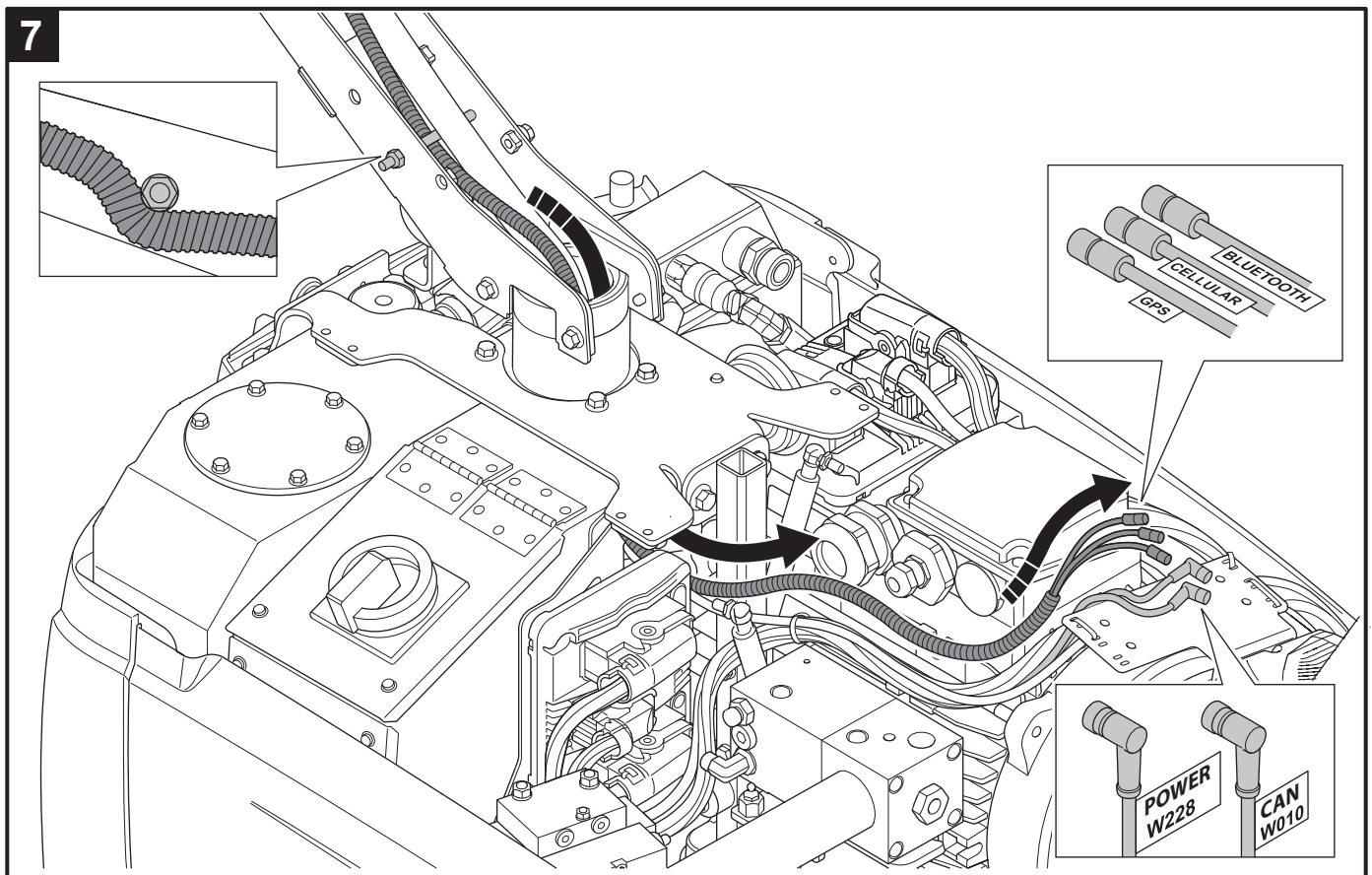
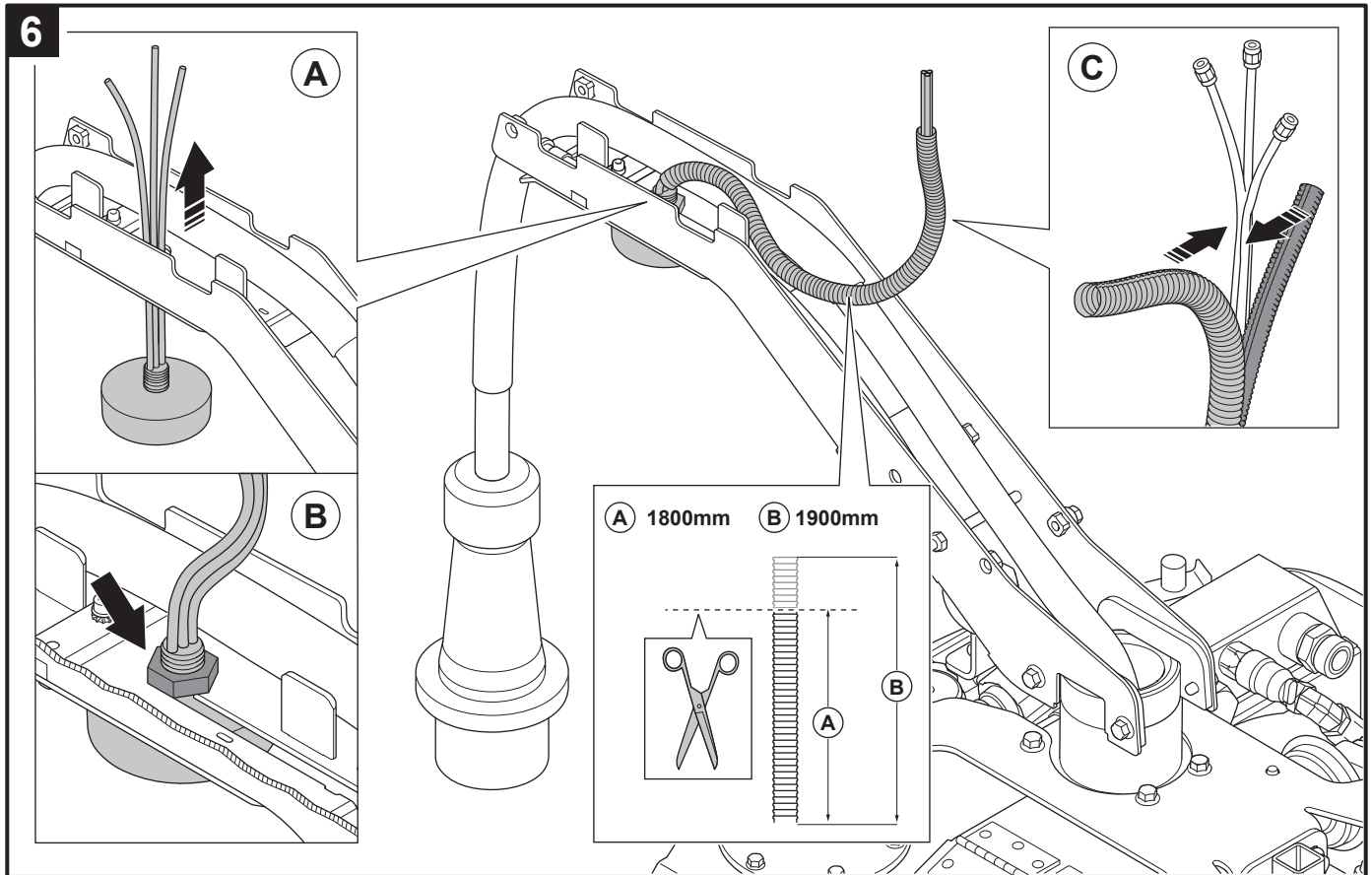
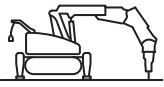


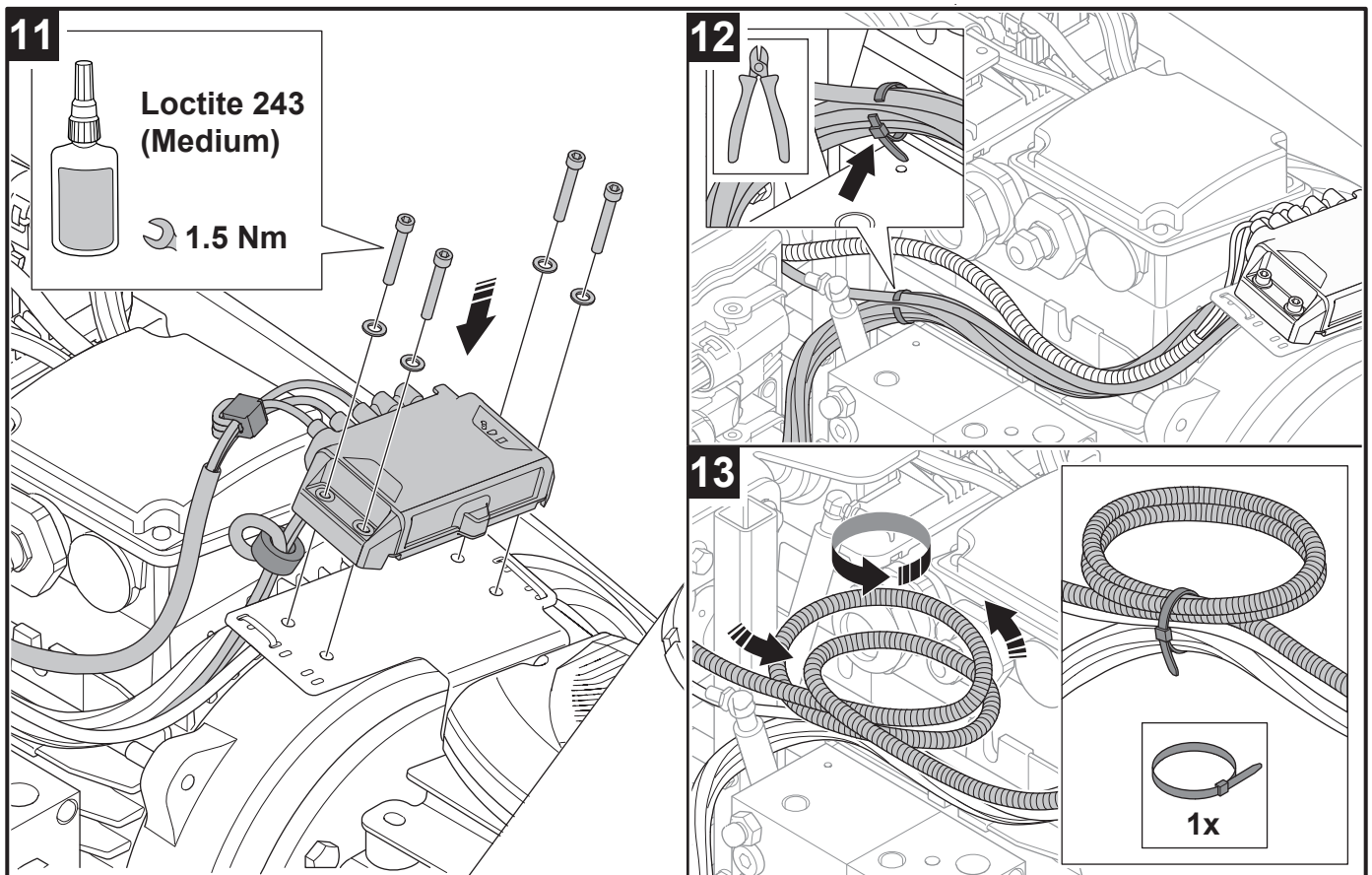
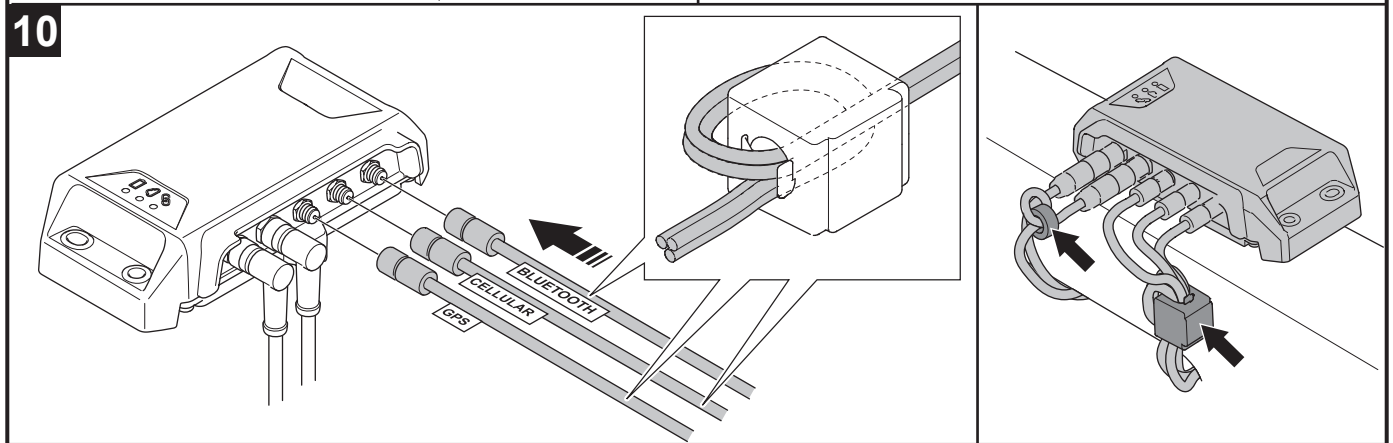
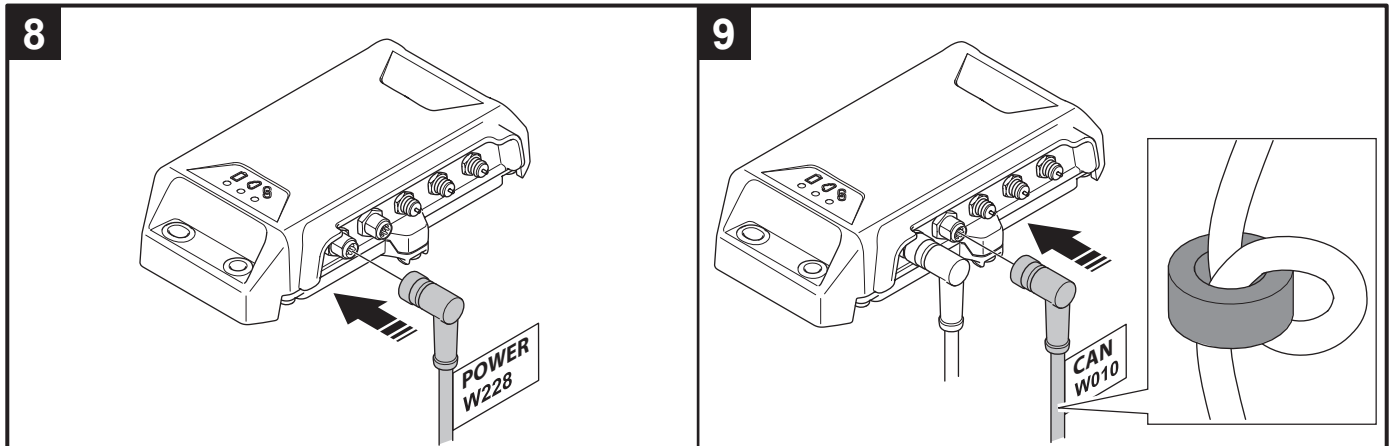
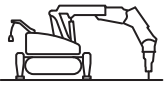


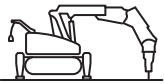
DXR 275, 305, 315



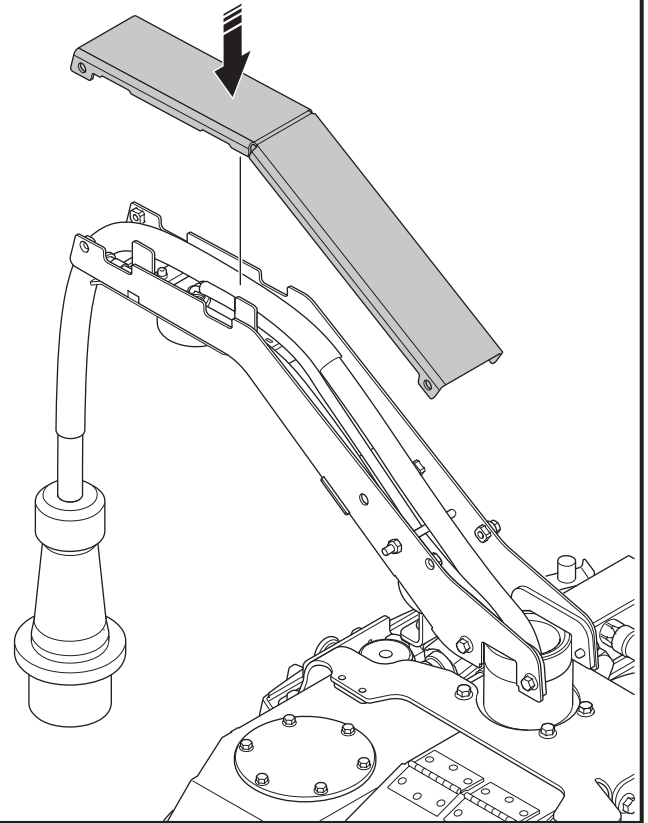




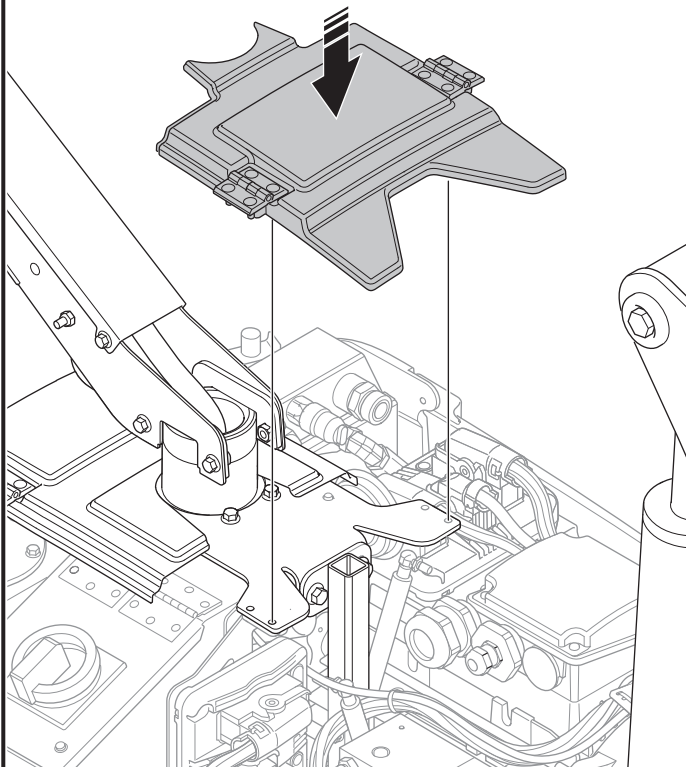




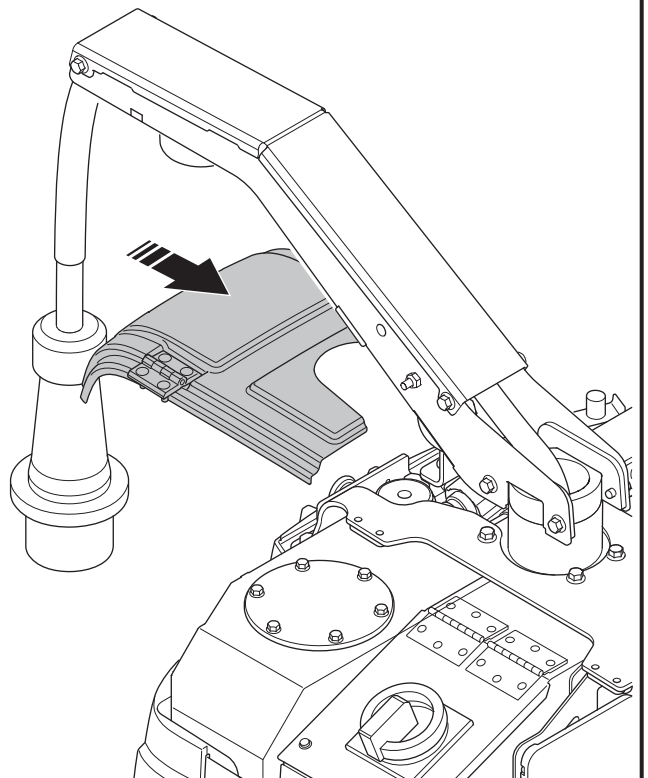
14

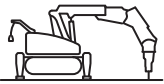


15

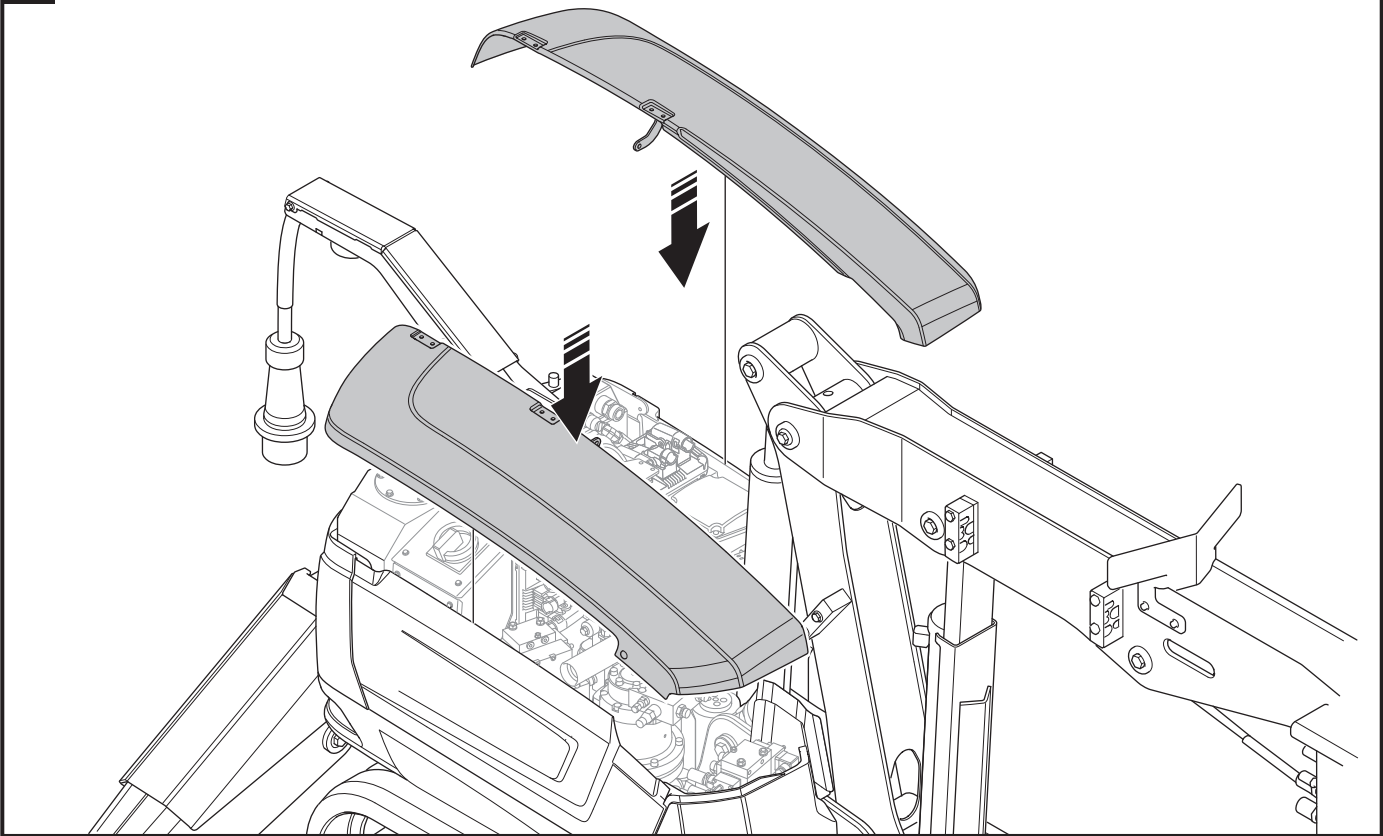


16

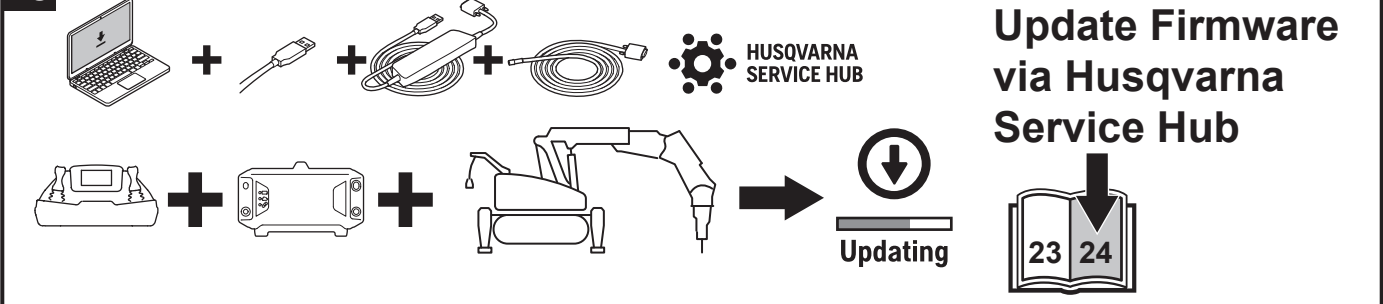




17

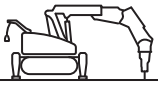


18



19





**DXR 95**

**Extra: Installation of W215 Power-cable & W09 CAN-cable**

**1**

CAN - W09  
Power - W215

**2**

X3  
X2

**3**

**4**

**5**

A

**6**

CAN Cable - W09

20 20  
17 17  
GY YE  
20 17

X3

**7**

Power Cable - W215

3  
GY BN WH  
28 45 3  
28 45

X2

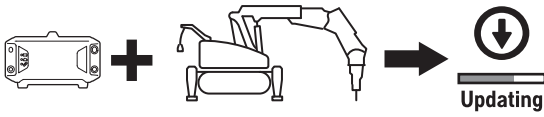
**8**

**9**

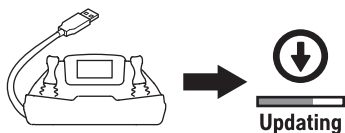
**10**

**11**

**12**



<p><b>1</b></p> <p>Firmware</p> <p><b>i</b> Old firmware</p> <p>Version B</p> <p><b>UPDATE FIRMWARE</b></p>	<p><b>2</b></p> <p>Firmware update</p> <p>No selections available for this product</p> <p>Current firmware version B</p> <p><b>i</b> Old firmware</p> <p><b>Using test firmware</b></p> <p>New firmware version C</p> <p><b>CANCEL UPDATE FIRMWARE</b></p>	<p><b>3</b></p> <p>Firmware</p> <p><b>Updating</b></p> <p>Updating to version C</p>
<p><b>4</b></p> <p>Firmware</p> <p><b>Updating 2%</b></p> <p>Updating to version C</p>	<p><b>5</b></p> <p><b>Unable to identify product</b></p> <p>The identity cannot be retrieved from the connected product. To identify the product, add the PNC and Serial Number or HID, or select a product from your already opened products.</p> <p>Select from open products</p> <p>Select product</p> <p>Identify manually</p> <p>PNC</p> <p>Serial number or HID</p> <p>Scanning possible</p> <p><b>Proceed to Product Configuration</b></p> <p><b>i</b> If you have replaced a smart component, such as a control unit, a configuration is needed for the product to function as intended.</p> <p><b>CANCEL CONTINUE</b></p>	<p><b>6</b></p> <p>Firmware</p> <p><b>Reboot needed</b></p> <p>Disconnect and reconnect the product to complete the update.</p> <p>Version installed C</p> <p><b>UPDATE FIRMWARE</b></p>
<p><b>7</b></p> <p>Firmware</p> <p><b>i</b> Old firmware</p> <p>Version 0015</p> <p><b>UPDATE FIRMWARE</b></p>	<p><b>8</b></p> <p>Firmware update</p> <p>No selections available for this product</p> <p>Current firmware version 0015</p> <p><b>i</b> Old firmware</p> <p><b>Using test firmware</b></p> <p>New firmware version C</p> <p><b>CANCEL UPDATE FIRMWARE</b></p>	<p><b>9</b></p> <p>Firmware</p> <p><b>Updating</b></p> <p>Updating to version C</p>
<p><b>10</b></p> <p>Firmware</p> <p><b>Reboot needed</b></p> <p>Disconnect and reconnect the product to complete the update.</p> <p>Version installed C</p> <p><b>UPDATE FIRMWARE</b></p>	<p><b>11</b></p> <p><b>Unable to identify product</b></p> <p>The identity cannot be retrieved from the connected product. To identify the product, add the PNC and Serial Number or HID, or select a product from your already opened products.</p> <p>Select from open products</p> <p>Select product</p> <p>Identify manually</p> <p>PNC</p> <p>Serial number or HID</p> <p>Scanning possible</p> <p><b>Proceed to Product Configuration</b></p> <p><b>i</b> If you have replaced a smart component, such as a control unit, a configuration is needed for the product to function as intended.</p> <p><b>CANCEL CONTINUE</b></p>	<p><b>12</b></p> <p>Firmware</p> <p><b>Up to date</b></p> <p>Version C0015</p> <p><b>Update firmware</b></p>



### 1

#### Firmware

**i Old firmware**

Version  
599807801L

**UPDATE FIRMWARE**

### 2

#### Firmware update

No selections available for this product

Current firmware version  
599807801L

**i Old firmware**

**Using test firmware**

New firmware version  
599807801M

**CANCEL UPDATE FIRMWARE**

### 3

#### Firmware

**Updating**

Updating to version  
599807801M

### 4

#### Firmware

**Up to date**

Version  
599807801M

**Update firmware**