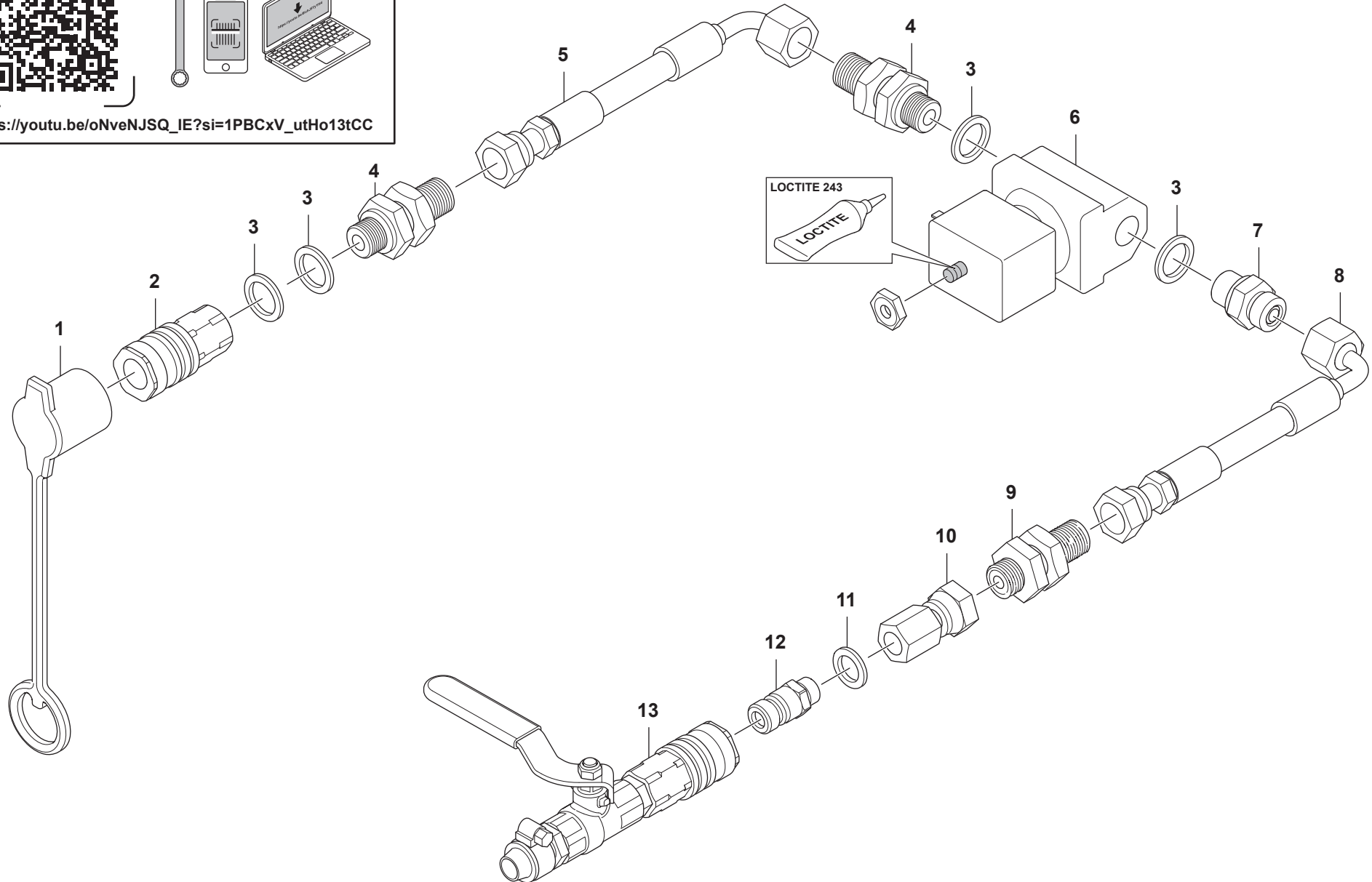


# DUST REDUCTION KIT DXR 95

546 22 48-01  
Rev.B

[https://youtu.be/oNveNJSQ\\_IE?si=1PBCxV\\_utHo13tCC](https://youtu.be/oNveNJSQ_IE?si=1PBCxV_utHo13tCC)







**DUST REDUCTION KIT  
DXR 95**



**546 22 48-01  
Rev.B**

Pos	Art no	Description	Comment	Qty
1	589 79 45 01	DUST COVER FEMALE		1
2	531 11 80 03	QUICK COUPLING	HYDRAULIC FEMA 3/8"	1
3	501 72 09 02	WASHER	RUBBER-STEEL 3/8"	4
4	576 41 20 01	ADAPTER	BGO 0611	2
5	585 54 25 04	HOSE ASSY	11/16", 90°, 1/4", 11/16", ORFS	1
6	582 78 01 01	VALVE	WATER CONTROL, 24VDC	1
7	589 01 54 01	ADAPTER	STRAIGHT O: 11/16 - G: 3/8	1
8	585 54 25 03	HOSE ASSY	11/16", 90°, 1/4", 11/16", ORFS	1
9	589 00 91 01	ADAPTER	STRAIGHT O: 11/16-O: 11/16	1
10	582 90 56 01	ADAPTER	STRAIGHT Int. G 1/4 - Int. O 11/16	1
11	501 72 09 01	WASHER	RUBBER-STEEL 1/4"	1
12	531 11 83 54	NIPPLE	MALE	1
13	505 42 42 01	VALVE ASSY	WATER	1