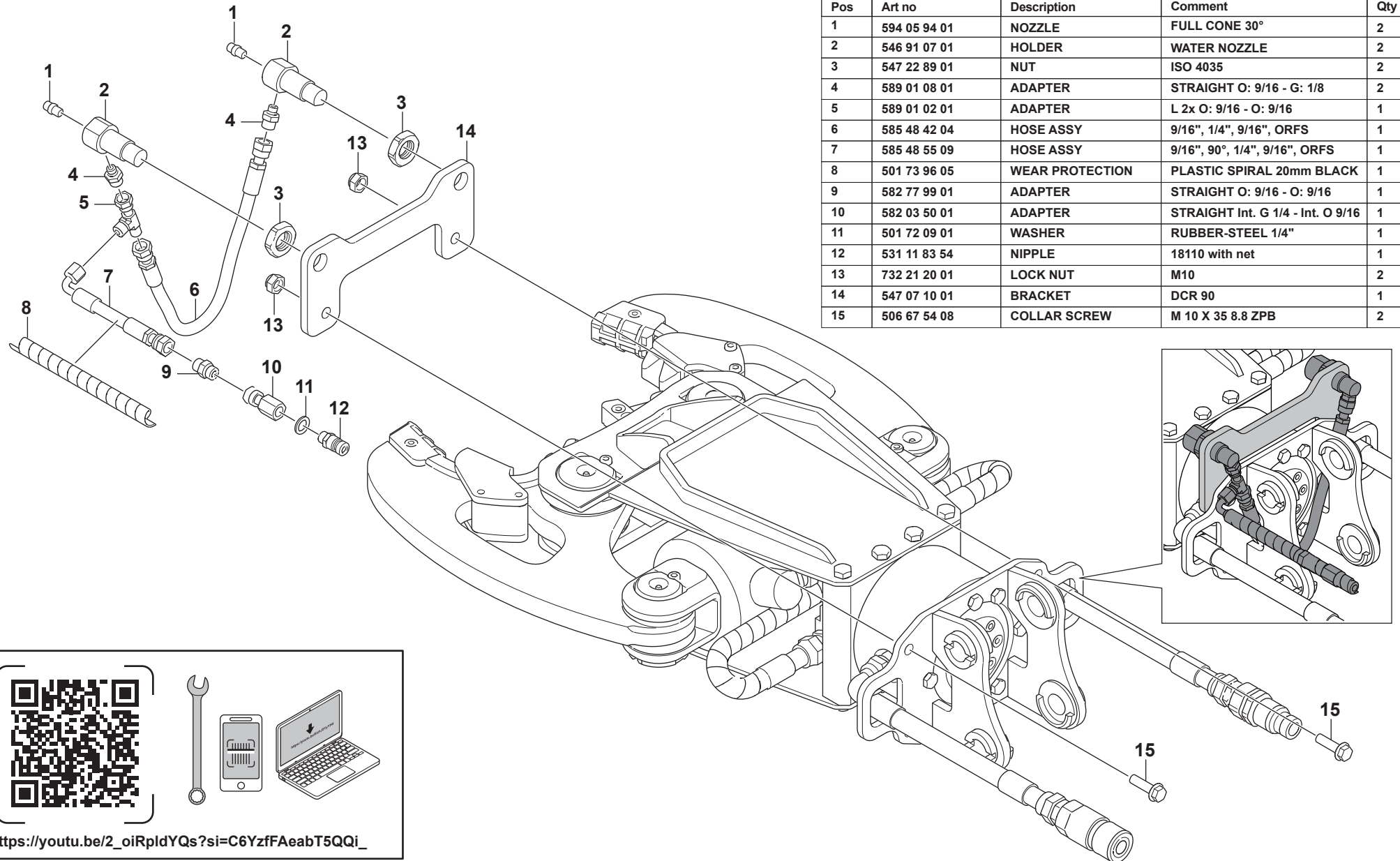
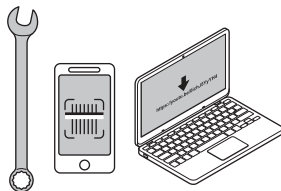


**DUST REDUCTION KIT  
DCR 90**

546 22 48-04  
Rev.A



Pos	Art no	Description	Comment	Qty
1	594 05 94 01	NOZZLE	FULL CONE 30°	2
2	546 91 07 01	HOLDER	WATER NOZZLE	2
3	547 22 89 01	NUT	ISO 4035	2
4	589 01 08 01	ADAPTER	STRAIGHT O: 9/16 - G: 1/8	2
5	589 01 02 01	ADAPTER	L 2x O: 9/16 - O: 9/16	1
6	585 48 42 04	HOSE ASSY	9/16", 1/4", 9/16", ORFS	1
7	585 48 55 09	HOSE ASSY	9/16", 90°, 1/4", 9/16", ORFS	1
8	501 73 96 05	WEAR PROTECTION	PLASTIC SPIRAL 20mm BLACK	1
9	582 77 99 01	ADAPTER	STRAIGHT O: 9/16 - O: 9/16	1
10	582 03 50 01	ADAPTER	STRAIGHT Int. G 1/4 - Int. O 9/16	1
11	501 72 09 01	WASHER	RUBBER-STEEL 1/4"	1
12	531 11 83 54	NIPPLE	18110 with net	1
13	732 21 20 01	LOCK NUT	M10	2
14	547 07 10 01	BRACKET	DCR 90	1
15	506 67 54 08	COLLAR SCREW	M 10 X 35 8.8 ZPB	2



[https://youtu.be/2\\_ojRpldYQs?si=C6YzfAeabT5QQi\\_](https://youtu.be/2_ojRpldYQs?si=C6YzfAeabT5QQi_)