

# HEAT PROTECTION KIT HYDRAULIC BREAKER SB 152

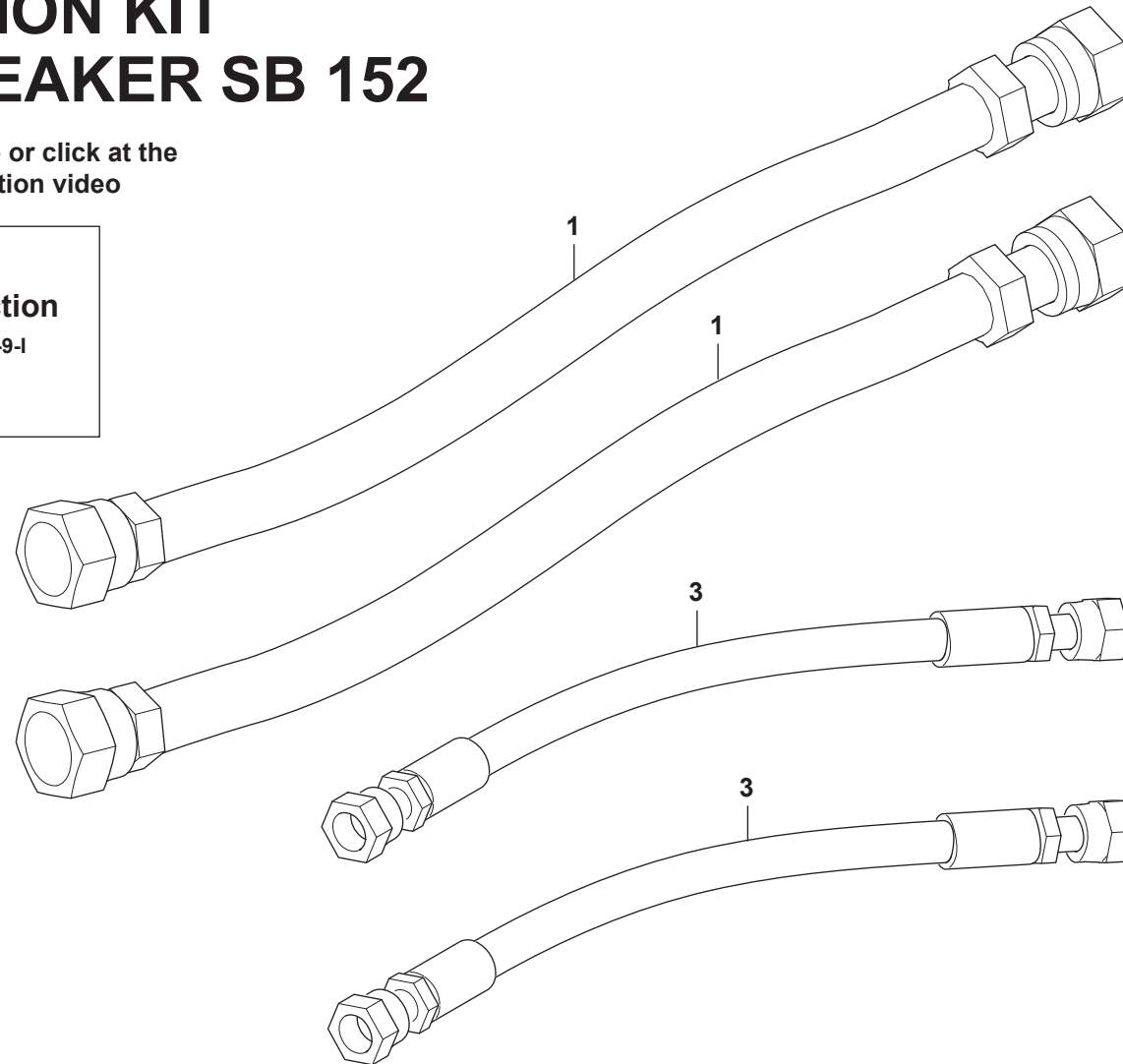
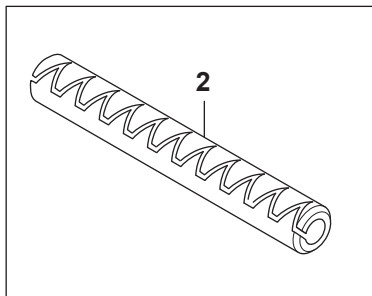
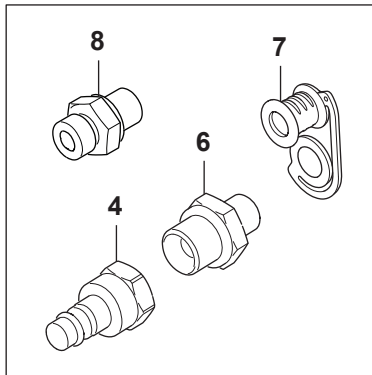
114 31 60-26  
Rev.A

Point the mobile camera at the QR code or click at the hyperlink to show the assembly instruction video



Assembly instruction

[https://youtu.be/3\\_aS5Bm-9-l](https://youtu.be/3_aS5Bm-9-l)



Pos	Art no	Description	Comment	Qty
1	536 83 17-01	HOSE ASSY	1", 1/2", 1", ORFS HEAT COVER	2
2	536 83 36-01	SPRINGPIN	SB 152	1
3	585 54 32-03	HOSE ASSY	9/16", 1/4" , 9/16" HEAT COVER	2
4	536 19 30-01	QUICK COUPLING	AIR, MALE, INT G3/8"	1
5	536 84 14-01	LONG, MOIL POINT	LONG, MOIL POINT, EPIROPC SB152 - MOIL, POINT L = 750mm	1
6	589 01 09-01	Adapter STRAIGHT O: 9/16 - G: 1/4		1
7	536 19 63-01	COVER	DUST CAP MALE	1
8	589 01 10-01	ADAPTER	STRAIGHT O: 9/16 - G: 3/8	1